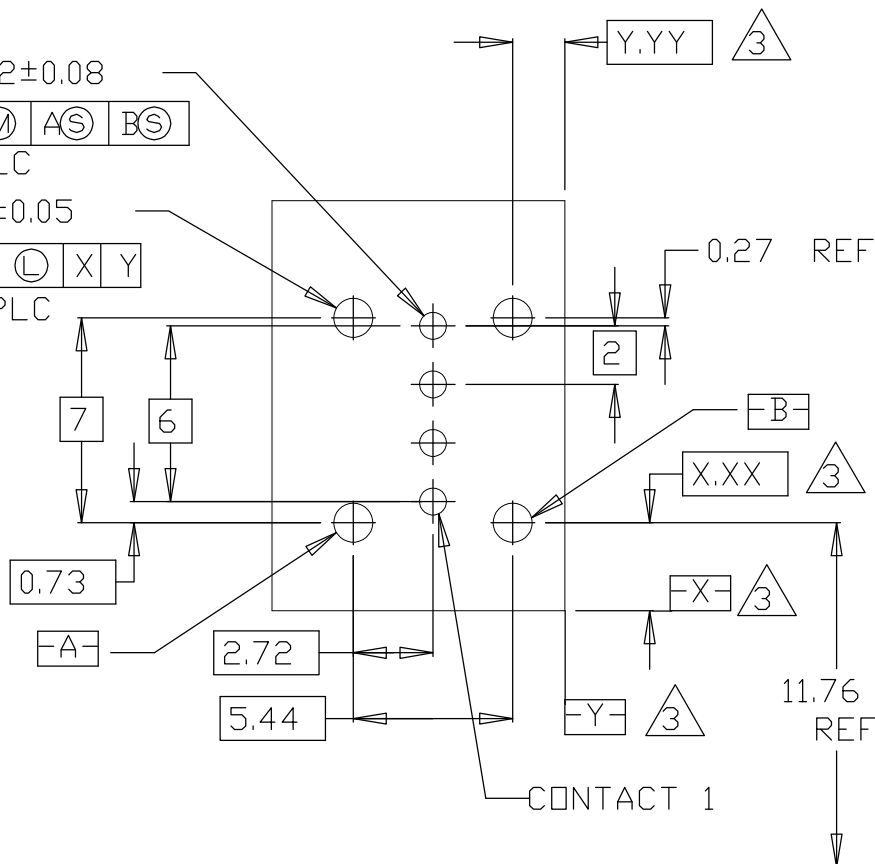
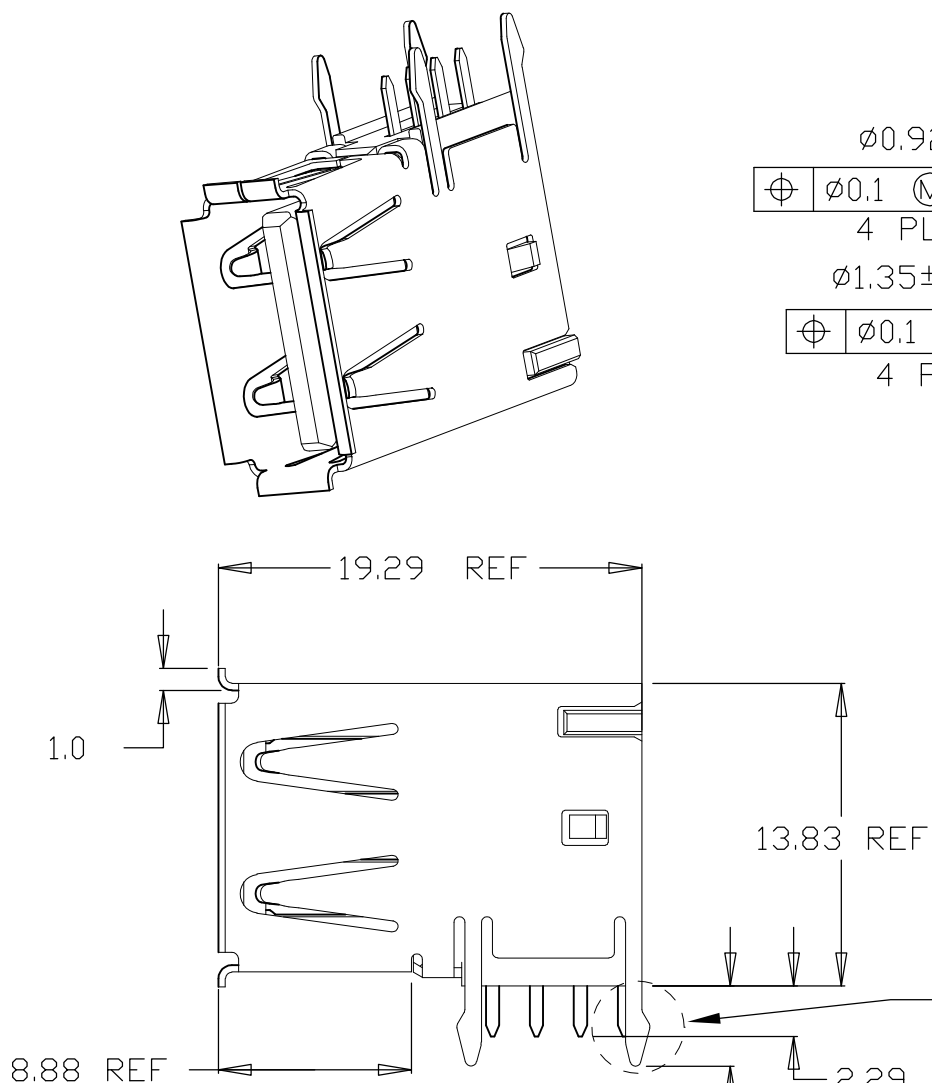
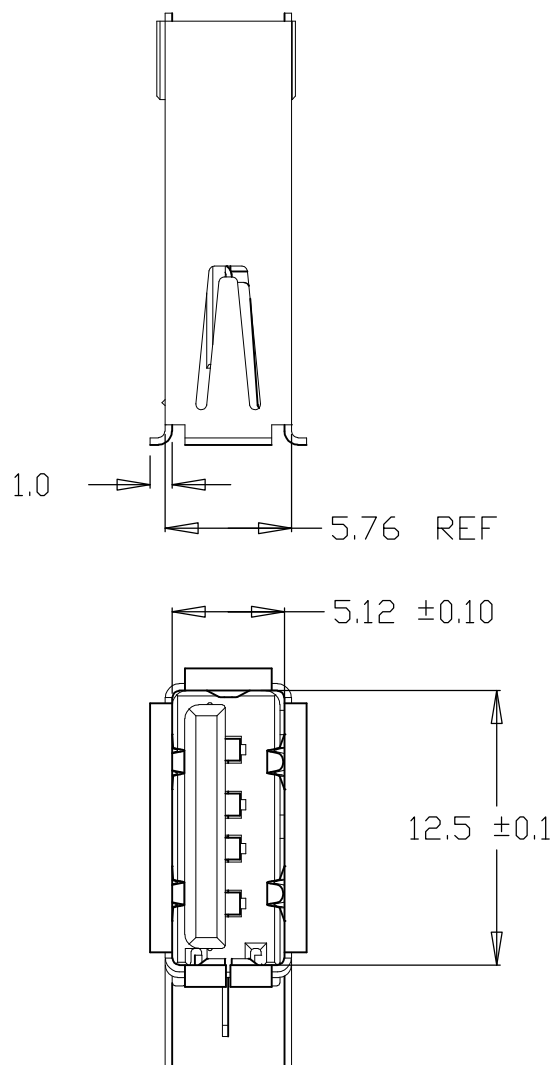


THIS DRAWING IS UNPUBLISHED.

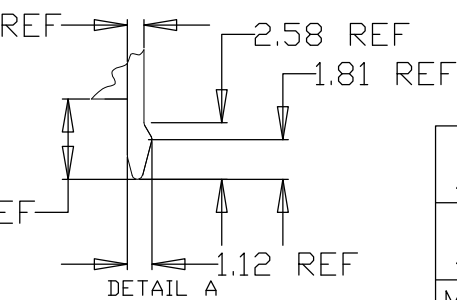
RELEASED FOR PUBLICATION

© COPYRIGHT BY -

LOC	DIST	REVISIONS			
P	LTR	DESCRIPTION	DATE	DWN	APVD
ES	00	A8	REVISED PER ECO-11-005033	24MAR11	RK HMR



PC BOARD MOUNTING DIMENSIONS 4



1 MATERIAL:
CONTACTS - PHOSPHOR BRONZE
SHELL - COPPER ALLOY

2 PLATING:
CONTACTS - 0.076 μm MINIMUM GOLD OVER 0.76 μm MINIMUM PALLADIUM-NICKEL
ON MATING AREA, 3.8 μm MINIMUM MATTE TIN ON SOLDER TAILS, BOTH OVER 1.27 μm MINIMUM NICKEL
SHELL 2~5 μm MINIMUM BRIGHT TIN.

CONTACT ALTERNATE PLATING: 0.76 μm MINIMUM GOLD ON MATING AREA

3 DATUMS AND BASIC DIMENSIONS ESTABLISHED BY CUSTOMER

4 RECOMMENDED PC BOARD THICKNESS OF 1.57±0.18

5 HOUSING - UL 94V-0 RATED THERMOPLASTIC, NATURAL

6 HOUSING - UL 94V-0 RATED THERMOPLASTIC, BLACK

1	5	292336-2
1	6	292336-1
MATERIAL		PART NUMBER

DIMENSIONS:	TOLERANCES UNLESS OTHERWISE SPECIFIED:
mm	0 PLC ±-
	1 PLC ±-
	2 PLC ±0.13
	3 PLC ±-
	4 PLC ±-
	ANGLES ±-
MATERIAL	FINISH
1 5 6	2

DWN	J.JIANG	12MAR04
CHK	S.YAO	12MAR04
APVD	T.SASAKI	12MAR04
PRODUCT SPEC	-	-
APPLICATION SPEC	-	-
WEIGHT	-	-
CUSTOMER DRAWING		

TE Connectivity			
NAME			
RECEPTACLE ASSEMBLY, RIGHT ANGLE FLAG, 4 POSITION, THRU-HOLE, USB			
SIZE	CAGE CODE	DRAWING NO	RESTRICTED TO
A3	00779	292336	-
SCALE	SHEET	OF	REV
NON	1	1	A8