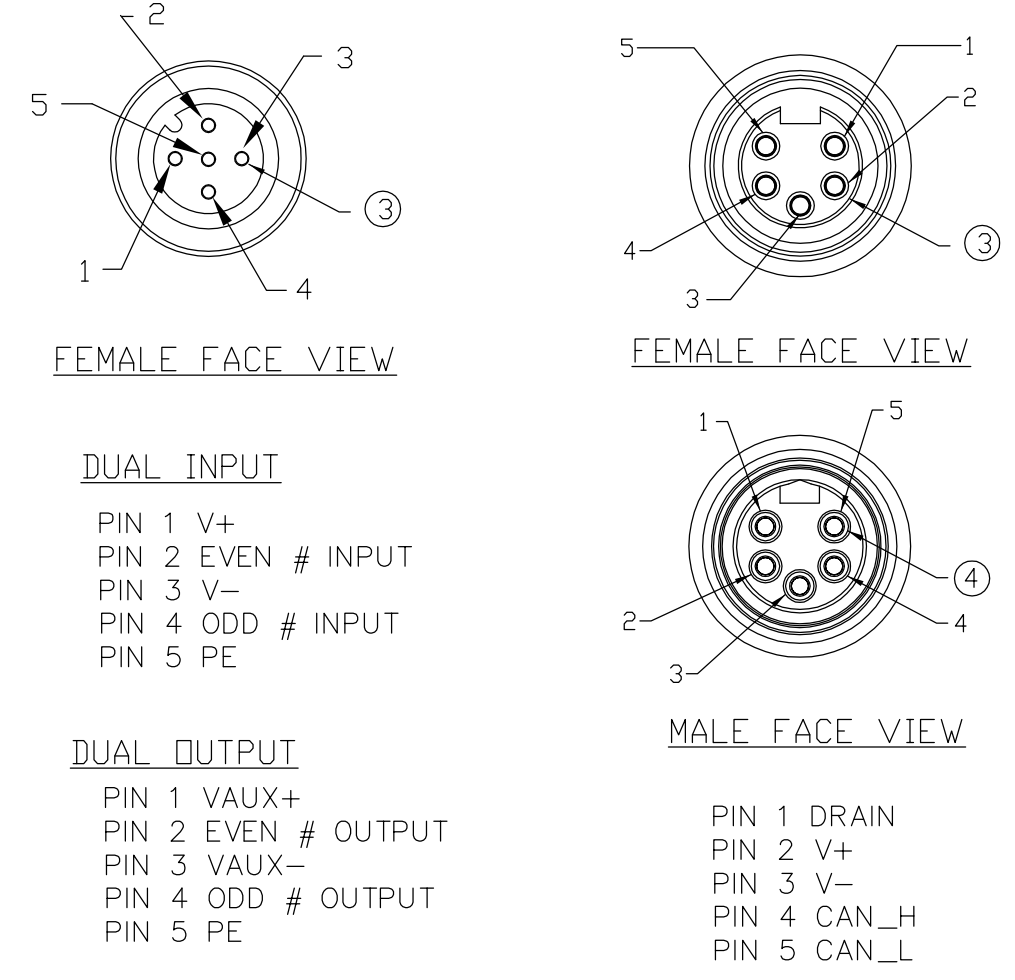
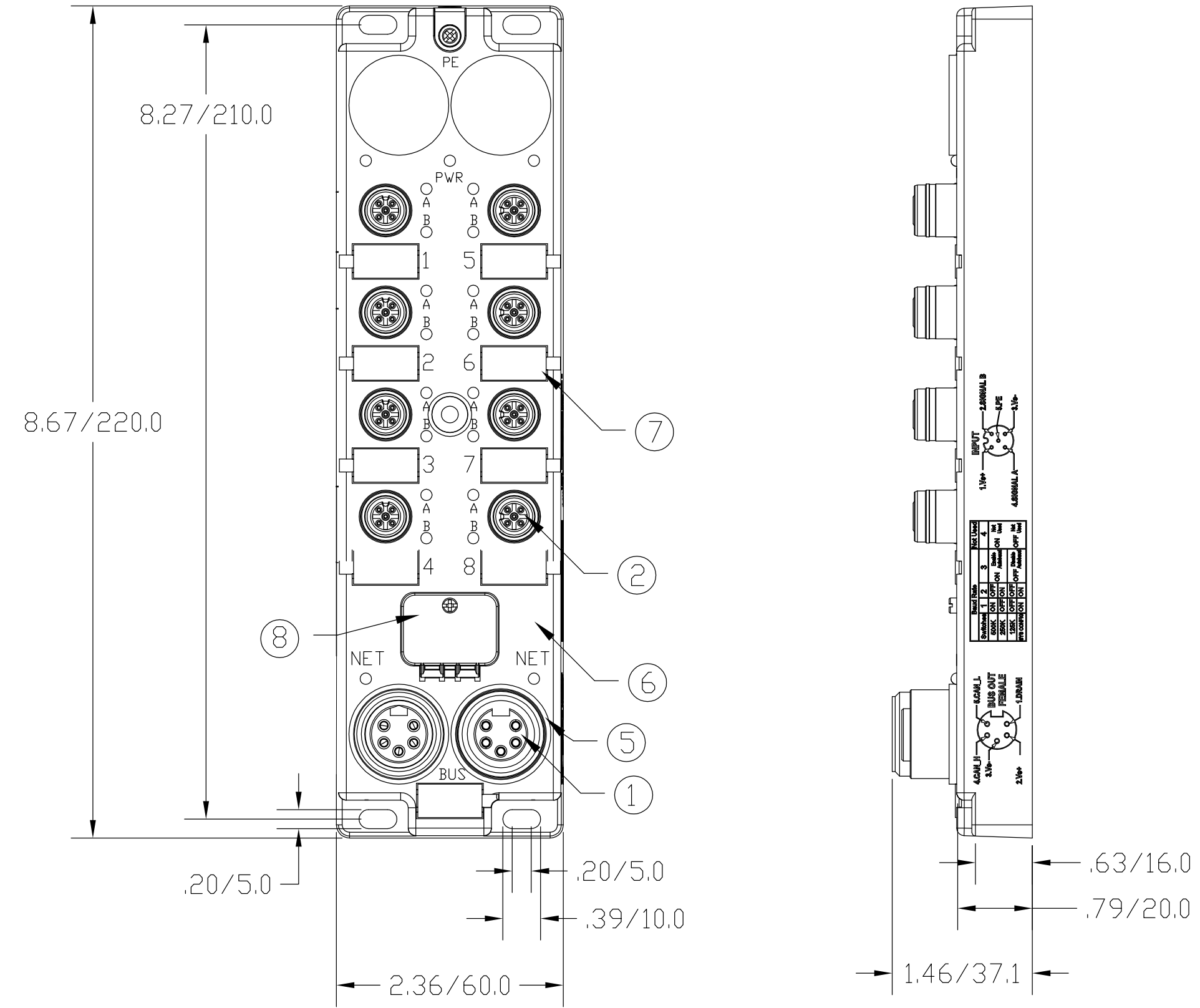
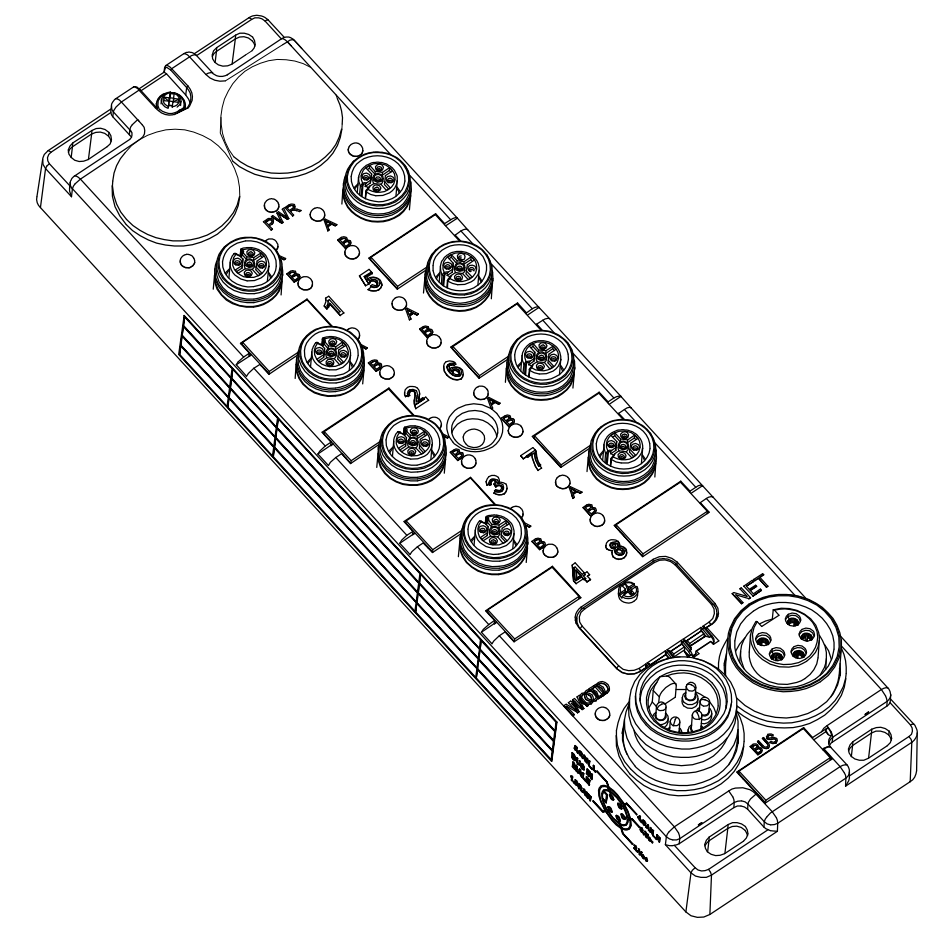


MATERIAL NUMBER	OLD PART NUMBER
112092-0010	TCDDN-8D0P-10U

INPUTS:
PNP 3-WIRE SENSORS
PORTS 1-8

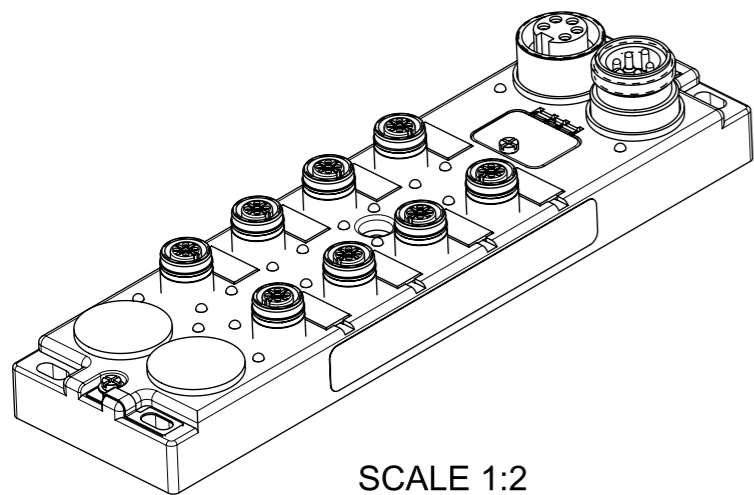
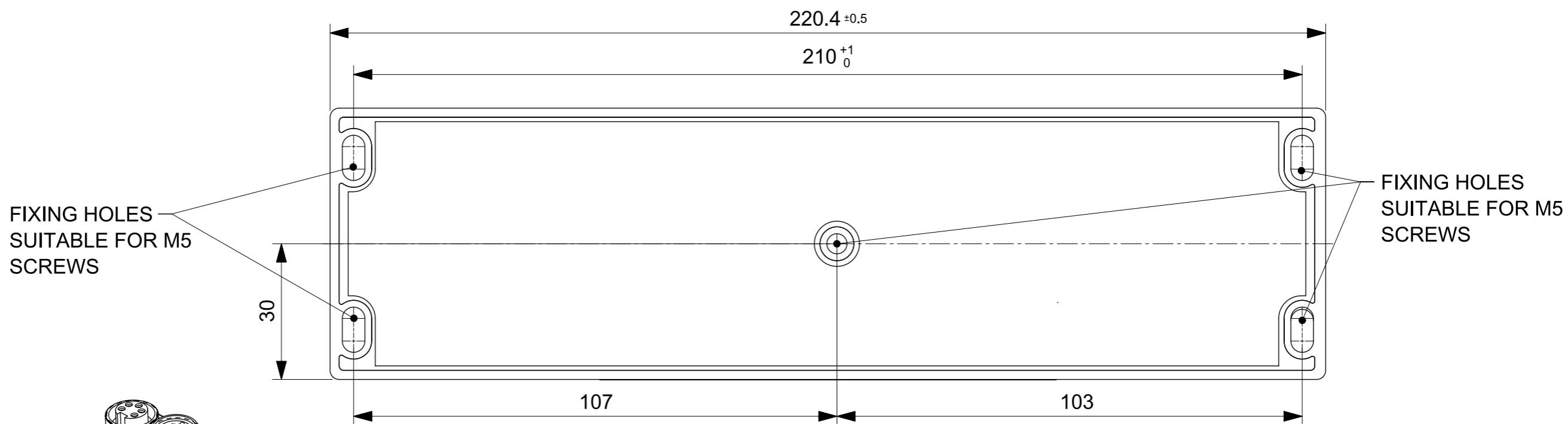
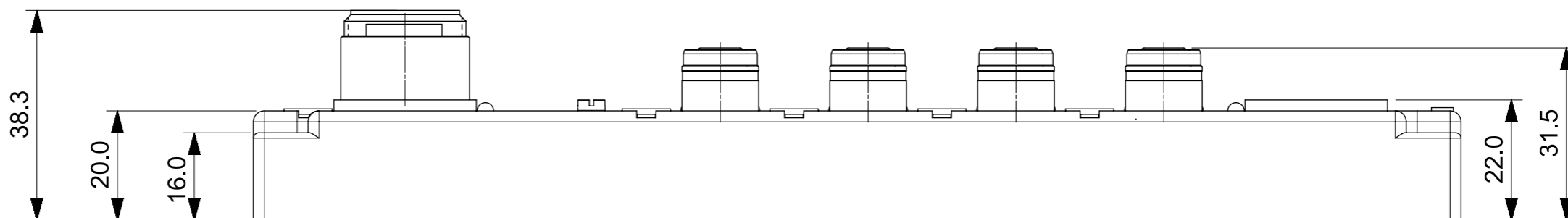
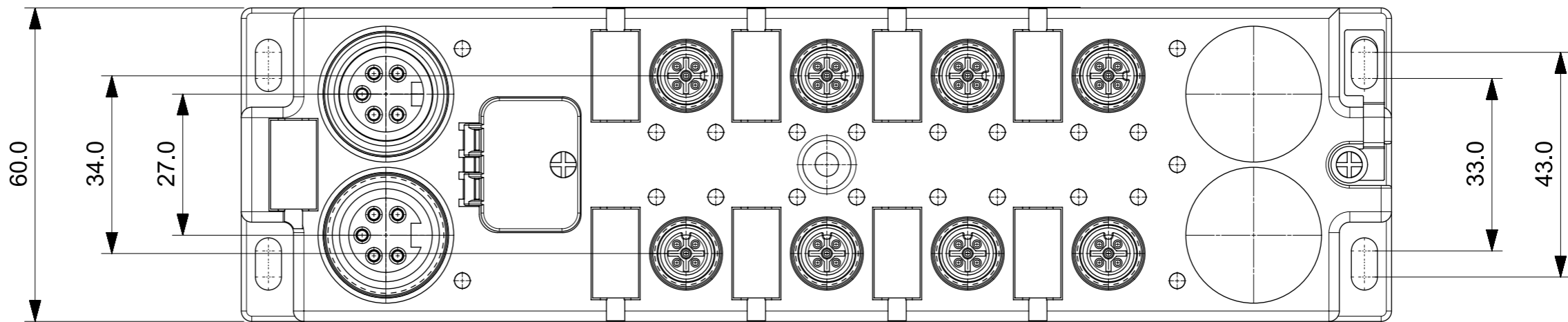
USER MANUAL IS LOCATED ON MOLEX WEBSITE.



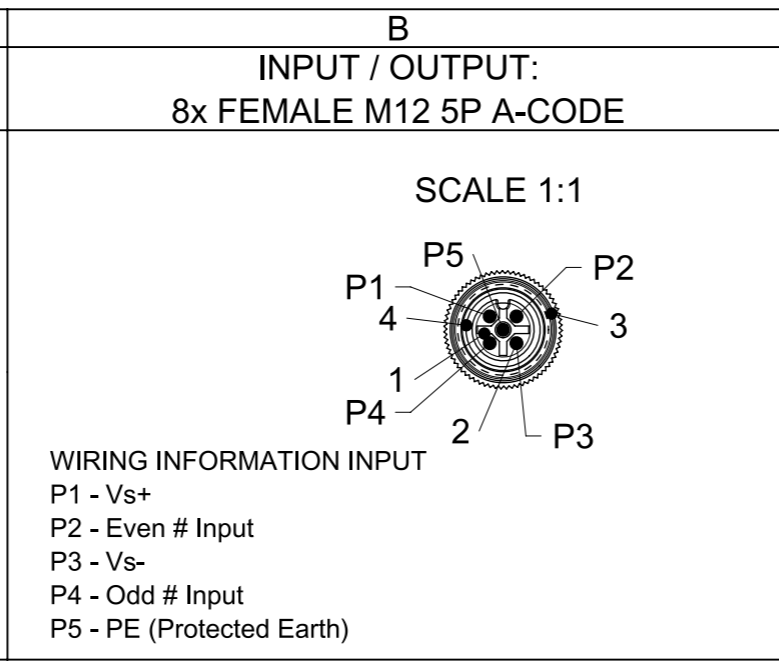
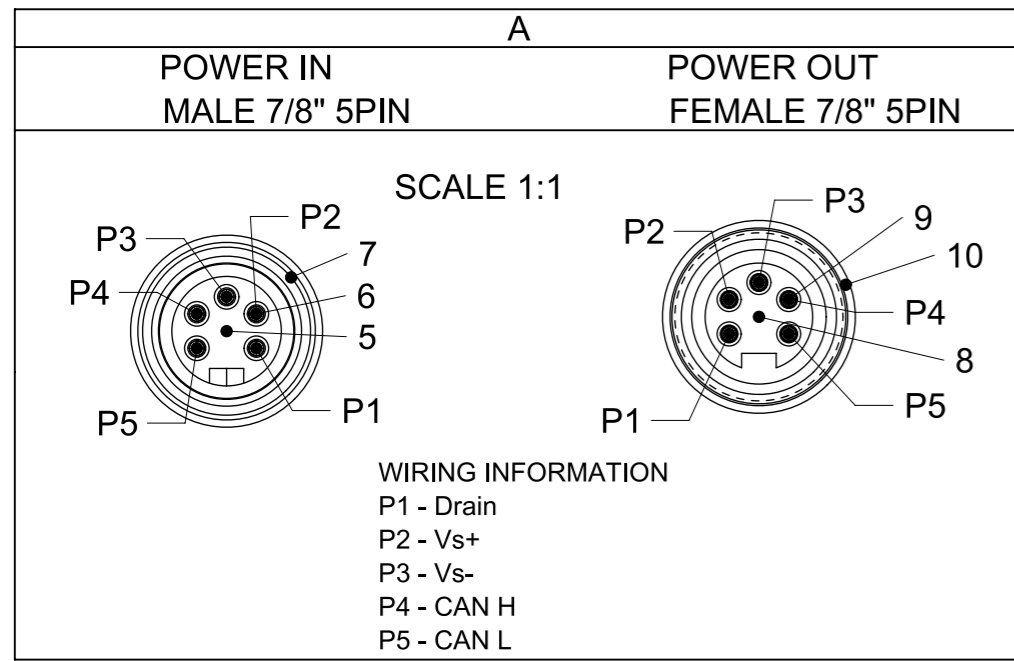
PROTECTION	IP67
OPERATING TEMPERATURE	0°C TO 70°C
APPROVALS	ODVA AND CE
UL CERTIFICATIONS	UL LISTED FILE NO. E200650
PRODUCTS CERTIFIED BY UL IN ACCORDANCE WITH CANADIAN REQUIREMENTS	UL LISTED FILE NO. E200650

ITEM	COMPONENT	MATERIAL	FINISH
1	MINI INSERT	TPE	GRAY(5-POLE) YELLOW (4-POLE)
2	MICRO INSERT	NYLON 6/6	BLACK
3	CONTACT SOCKET	COPPER ALLOY	GOLD OVER NICKEL
4	CONTACT PIN	COPPER ALLOY	GOLD OVER NICKEL
5	RECEPTACLE SHELL	BRASS	NICKLE PLATED
6	HOUSING	PBT	BLACK
7	LABEL	ABS	WHITE
8	WINDOW	POLYCARBONATE	CLEAR

RLSO DRAWING EC NO: WNA2009-0881 DRWN: BWOODMAN 6/30/09 CH'KD: --- APPR: JFMURPHY 2009/07/08 A	QUALITY SYMBOL ▽=0 ◁=0	GENERAL TOLERANCES (UNLESS SPECIFIED) 4 PLACES ±--- 3 PLACES ±--- 2 PLACES ±--- 1 PLACE ±0.3 ANGULAR ±---° DRAFT WHERE APPLICABLE MUST REMAIN WITHIN DIMENSIONS	DIMENSION STYLE IN/MM DRAWN BY DATE BW 2009/06/30 CHECKED BY DATE LH 2009/06/30 APPROVED BY DATE ---	SCALE --- DESIGN UNITS --- THIRD ANGLE PROJECTION	TITLE 60MM 16 INPUT PNP DEVICENET MPIS MOLEX INCORPORATED MATERIAL NO. SEE CHART DOCUMENT NO. SD-112092-003 SHEET NO. 1 OF 1
	THIS DRAWING CONTAINS INFORMATION THAT IS PROPRIETARY TO MOLEX INCORPORATED AND SHOULD NOT BE USED WITHOUT WRITTEN PERMISSION				

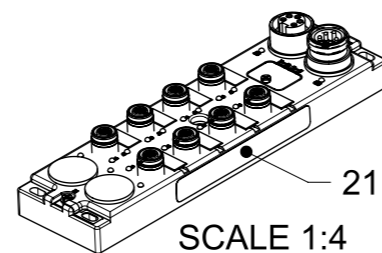
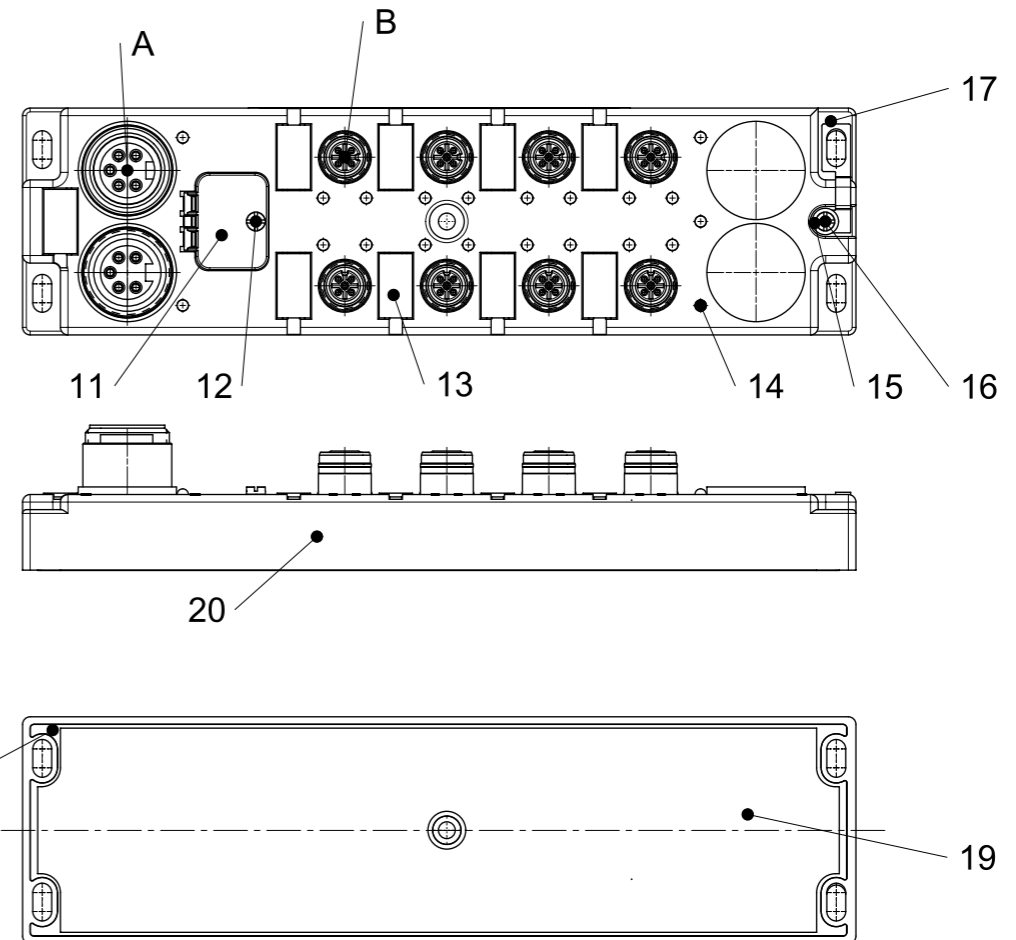


THIS DRAWING CONTAINS INFORMATION THAT IS PROPRIETARY TO MOLEX ELECTRONIC TECHNOLOGIES, LLC AND SHOULD NOT BE USED WITHOUT WRITTEN PERMISSION											
QUALITY SYMBOLS ▽A = 0 ▽E = 0 ▽F = 0 ▼ = 0 ▽C = 0 ⊗ = 0 ■ = 0 ▽ = 0	EC NO: 101575 DRWN: AAHLERS CHK'D: APPR:	2015/10/23 GENERAL TOLERANCES (UNLESS SPECIFIED) ANGULAR TOL ± ° 4 PLACES ± 3 PLACES ± 2 PLACES ± 1 PLACE ± 0.3 0 PLACES ± 0.5 DRAFT WHERE APPLICABLE MUST REMAIN WITHIN DIMENSIONS	DIMENSION UNITS	SCALE							
			MM	1:1							
			DRWN BY	DATE	DBO DN16 60 MM 7/8" 5P AC MA FE U12 5P 8PT DC FE						
			ULETTENMEIER	2015/01/19							
			CHK'D BY	DATE	PRODUCT CUSTOMER DRAWING						
RSILLER	2015/06/25										
APPR BY	DATE	SERIES	MATERIAL NUMBER	CUSTOMER							
		112092	1120920010	GENERAL MARKET							
DRAWING SIZE	THIRD ANGLE PROJECTION	DOCUMENT NUMBER		DOC TYPE	DOC PART	SHEET NUMBER					
A3		1120920010		PSD	000	1 OF 3					



BILL OF MATERIAL

ITEM	DESCRIPTION	MATERIAL	FINISH
1	INSERT	TPU	BLACK
2	CONTACT	COPPER ALLOY	GOLD OVERNICKEL
3	SHELL	BRASS	NICKEL PLATET
4	GASKET	FPM	RED
5	INSERT	TPE	GREY
6	CONTACT	COPPER ALLOY	GOLD OVERNICKEL
7	SHELL	BRASS	NICKEL PLATET
8	INSERT	TPE	GREY
9	CONTACT	COPPER ALLOY	GOLD OVER NICKEL
10	SHELL	BRASS	NICKEL PLATET
11	WINDOW	PC	TRANSPARENT
12	SCREW	V2A	V2A
13	LABEL	PC	WHITE
14	FIBER OPTIC	PA	TRANSPARENT
15	WASHER	BRASS	NICKEL PLATET
16	SCREW	V2A	V2A
17	SHIELD PLATE	STAINLESS STEEL	STAINLESS STEEL
18	RESIN	EPOXY	TRANSPARENT
19	LABEL	PVC	WHITE
20	HOUSING	PBT	BLACK
21	LABEL	PVC	YELLOW

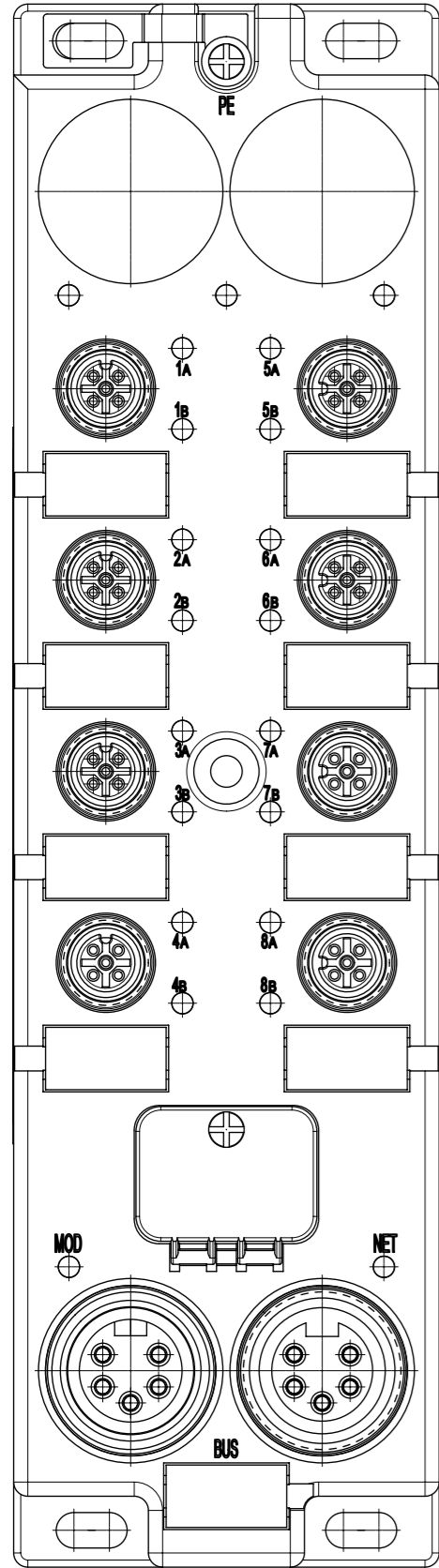


THIS DRAWING CONTAINS INFORMATION THAT IS PROPRIETARY TO MOLEX ELECTRONIC TECHNOLOGIES, LLC AND SHOULD NOT BE USED WITHOUT WRITTEN PERMISSION

QUALITY SYMBOLS	2015/10/23	GENERAL TOLERANCES (UNLESS SPECIFIED)		DIMENSION UNITS	SCALE	molex		
		ANGULAR TOL ± °		MM	1:2			
▽A = 0	EC NO: 101575 DRWN: AAHLERS CHK'D: APPR:	4 PLACES ±	DRWN BY	DATE		DBO DN16 60 MM 7/8" 5P AC MA FE U12 5P 8PT DC FE		
▽E = 0		3 PLACES ±	ULETTENMEIER	2015/01/19				
▽F = 0		2 PLACES ±	CHK'D BY	DATE		PRODUCT CUSTOMER DRAWING		
▽ = 0		1 PLACE ± 0.3	APPR BY	DATE				
▽C = 0		0 PLACES ± 0.5	RSILLER	2015/06/25				
▽ = 0	DRAFT WHERE APPLICABLE MUST REMAIN WITHIN DIMENSIONS	DRAWING SIZE	THIRD ANGLE PROJECTION		SERIES	MATERIAL NUMBER	CUSTOMER	
▽ = 0		A3			112092	1120920010	GENERAL MARKET	
	A1				DOCUMENT NUMBER	DOC TYPE	DOC PART	SHEET NUMBER
					1120920010	PSD	000	3 OF 3

TABLE 1 16 IN PRINTING

		DEVICENET 16			3D MODEL NO.
POWER TYPE	INPUT/OUTPUT	ENG. NO	MOLEX P/N		
7/8" 5 POLE	PNP	16I	TCDDN-8D0P-10U	1120920010	1120920010 (PDM)
	NPN	16I	TCDDN-8D0N-10U	1120920019	



16 IN PRINTING

QUALITY SYMBOLS ▽A = 0 ▽E = 0 ▽F = 0 ▼ = 0 ▽C = 0 ⊗ = 0 ■ = 0 ▽ = 0	THIS DRAWING CONTAINS INFORMATION THAT IS PROPRIETARY TO MOLEX ELECTRONIC TECHNOLOGIES, LLC AND SHOULD NOT BE USED WITHOUT WRITTEN PERMISSION										
	2015/10/23 EC NO: 101575 DRWN: AAHLERS CHK'D: APPR:	GENERAL TOLERANCES (UNLESS SPECIFIED)		DIMENSION UNITS	SCALE						
		ANGULAR TOL ± °		MM	1:1						
		4 PLACES ±	DRWN BY		DATE	DBO DN16 60 MM 7/8" 5P AC MA FE U12 5P 8PT DC FE					
		3 PLACES ±	ULETTENMEIER		2015/01/19						
		2 PLACES ±	CHK'D BY		DATE						
	1 PLACE ± 0.3	APPR BY		DATE	PRODUCT CUSTOMER DRAWING						
	0 PLACES ± 0.5	RSILLER		2015/06/25							
	DRAFT WHERE APPLICABLE MUST REMAIN WITHIN DIMENSIONS		DRAWING SIZE	THIRD ANGLE PROJECTION	SERIES	MATERIAL NUMBER	CUSTOMER				
			A3		112092	1120920010	GENERAL MARKET				
					DOCUMENT NUMBER	DOC TYPE	DOC PART	SHEET NUMBER			
					1120920010	PSD	000	2 OF 3			