

THE INFORMATION CONTAINED HEREIN IS CONSIDERED "PROPRIETARY" TO BEL FUSE INC. AND SHALL NOT BE COPIED, REPRODUCED OR DISCLOSED WITHOUT THE WRITTEN APPROVAL OF BEL FUSE INC.

RoHS  
2002/95/EC



ELECTRICAL CHARACTERISTICS @ 25° C

1.0 INDUCTANCE:  
 (P2-P3) 350uH MIN. @ 0.1V, 100KHz, 8mA DC BIAS  
 (P4-P5) 350uH MIN. @ 0.1V, 100KHz, 8mA DC BIAS  
 (P7-P8) 350uH MIN. @ 0.1V, 100KHz, 8mA DC BIAS  
 (P9-P10) 350uH MIN. @ 0.1V, 100KHz, 8mA DC BIAS

2.0 TURNS RATIO:  
 (P2-P3):(J1-J2) 1CT : 1CT ± 2%  
 (P4-P5):(J3-J6) 1CT : 1CT ± 2%  
 (P7-P8):(J4-J5) 1CT : 1CT ± 2%  
 (P9-P10):(J7-J8) 1CT : 1CT ± 2%

3.0 RETURN LOSS: 100 OHM REF.  
 500kHz TO 40MHz -18dB MIN.  
 40MHz TO 100MHz -12+20LOG(f/80MHz) MIN.

4.0 INSERTION LOSS: RS=RL=100 OHMS  
 100kHz TO 100MHz -1.2dB MAX.

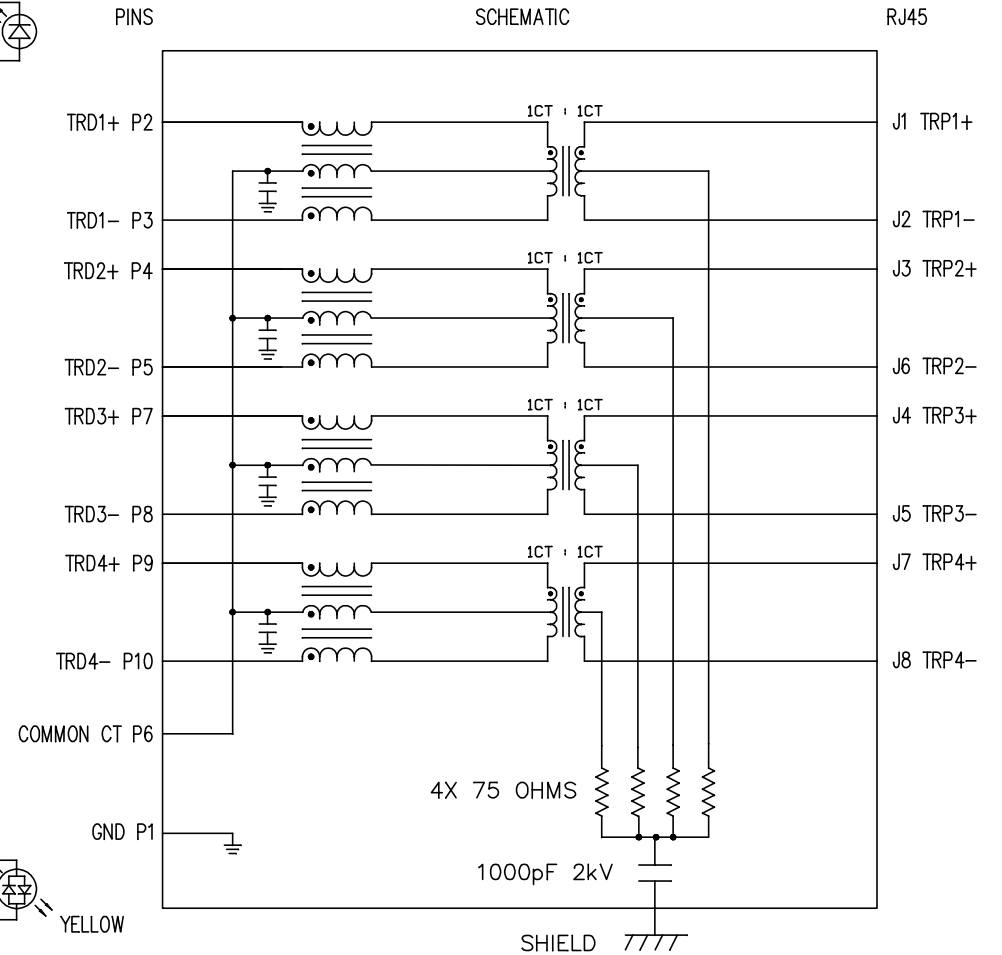
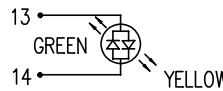
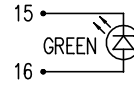
5.0 CROSS TALK: Ch1-Ch2, Ch1-Ch3, Ch1-Ch4, Ch2-Ch3, Ch2-Ch4, Ch3-Ch4  
 1MHz TO 30MHz -35dB MIN.  
 30MHz TO 80MHz -24dB MIN.  
 80MHz TO 100MHz -25dB MIN.

6.0 CM TO CM REJECTION:  
 100kHz TO 100MHz -30dB MIN.

7.0 CM TO DM REJECTION:  
 100kHz TO 100MHz -35dB MIN.

8.0 VOLTAGE WITHSTAND:  
 (J1,J2) TO (P2,P3) 1500Vrms  
 (J3,J6) TO (P4,P5) 1500Vrms  
 (J4,J5) TO (P7,P8) 1500Vrms  
 (J7,J8) TO (P9,P10) 1500Vrms

9.0 THIS COMPONENT IS A PATENT PRODUCT;US PATENT NUMBER 7,123,117.



ORIGINATED BY	DATE	TITLE
Zeng Xiao Chun	03-21-2011	<b>MagJack®</b> TAB UP SHIELDED 10/100/100BT PATENTED
DRAWN BY	DATE	
Zhang Ru Sheng	03-21-2011	

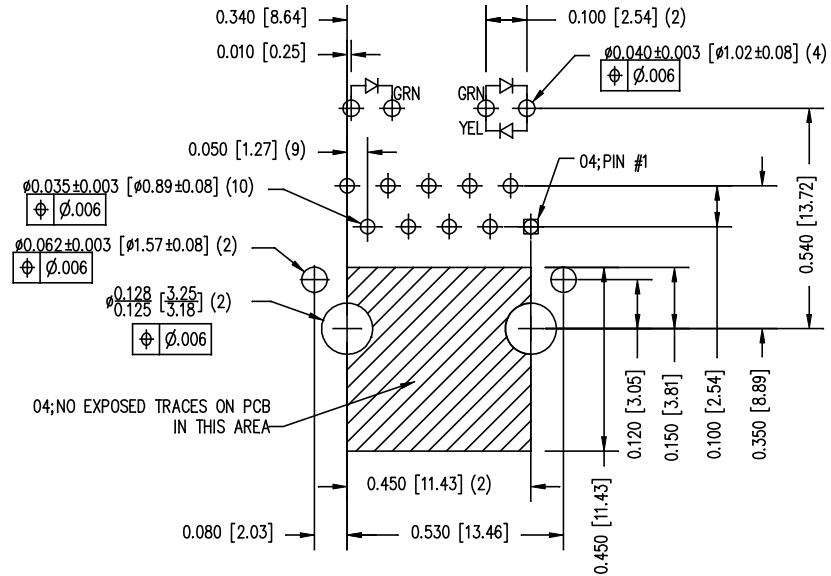
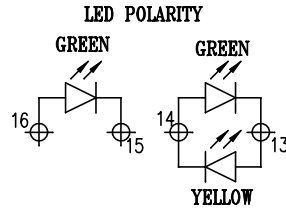
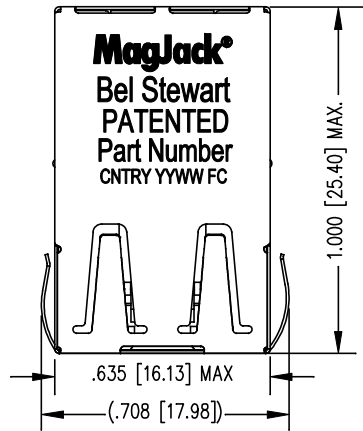
PART NO. / DRAWING NO.	STANDARD DIM.
SI-51009-F	TOL. IN INCH
FILE NAME	
SI-51009-F.DWG	

[ ] METRIC DIM. AS REFERENCE	
UNIT : INCH [mm]	REV. : A1
SCALE : N/A	SIZE : A4
	PAGE : 2

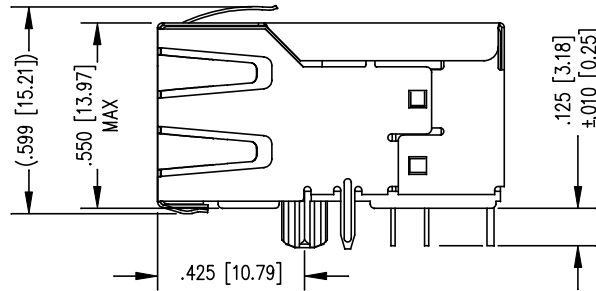
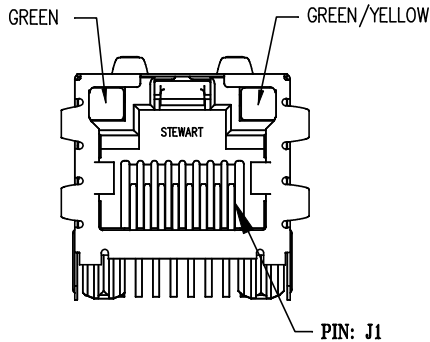



THE INFORMATION CONTAINED HEREIN IS CONSIDERED "PROPRIETARY" TO BEL FUSE INC. AND SHALL NOT BE COPIED, REPRODUCED OR DISCLOSED WITHOUT THE WRITTEN APPROVAL OF BEL FUSE INC.

RoHS  
2002/95/EC



P.C.B. RECOMMENDED HOLE LAYOUT  
SEEN FROM COMPONENT SIDE  
ALL CENTERLINE DIMENSIONS ARE BASIC



LED SPECIFICATION			
LED COLOR	WAVELENGTH	FORWARD V (MAX)	* (TYP)
GREEN	565 nm	2.5 V	2.2 V
YELLOW	590 nm	2.5 V	2.1 V

\*WITH A FORWARD CURRENT OF 20 mA (TYP)

NOTES:

- CONNECTOR MATERIALS:  
HOUSING: THERMOPLASTIC UL94 V-0  
CONTACT/SHIELD: COPPER ALLOY  
SHIELD PLATING: NICKEL OR TIN  
CONTACT PLATING: SELECTIVE GOLD,  
50 MICRO-INCHES MIN. IN CONTACT AREA.
- PIN NOT ELECTRICALLY CONNECTED MAYBE OMITTED.  
SEE ELECTRICAL DRAWING FOR OMITTED PINS.
- TOLERANCES COMPLY WITH F.C.C. DIMENSION REQUIREMENTS.
- ALL TOLERANCES NOT OTHERWISE SPECIFIED TO BE ±.005 [0.13]
- REFLOW AND WAVE SOLDER COMPATIBLE -260°C FOR 10 SECONDS MAX.

ORIGINATED BY	DATE
Zeng Xiao Chun	03-21-2011
DRAWN BY	DATE
Zhang Ru Sheng	03-21-2011

TITLE
<b>MagJack®</b> TAB UP SHIELDED 10/100/100BT PATENTED

PART NO. / DRAWING NO.
SI-51009-F
FILE NAME
SI-51009-F.DWG

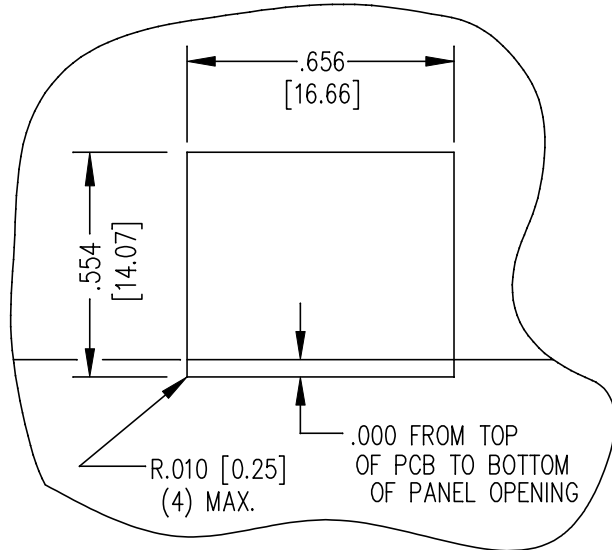
STANDARD DIM.	[ ] METRIC DIM. AS REFERENCE
TOL. IN INCH	UNIT : INCH [mm]
.X	REV. : A1
.XX	SCALE : N/A
.XXX	SIZE : A4
±0.005	PAGE : 3

[ ] METRIC DIM. AS REFERENCE
UNIT : INCH [mm]
REV. : A1
SCALE : N/A
SIZE : A4
PAGE : 3

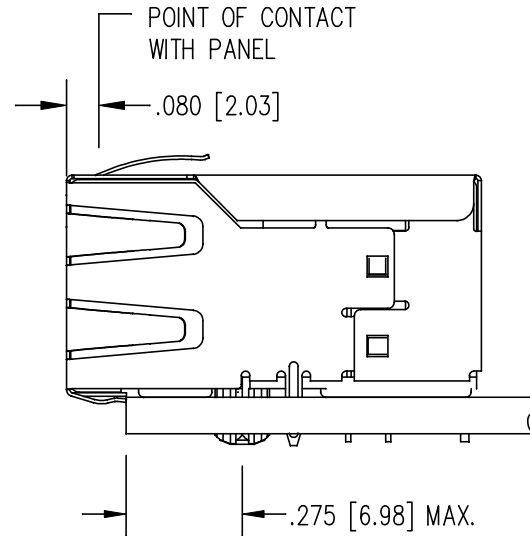


THE INFORMATION CONTAINED HEREIN IS CONSIDERED "PROPRIETARY" TO BEL FUSE INC. AND SHALL NOT BE COPIED, REPRODUCED OR DISCLOSED WITHOUT THE WRITTEN APPROVAL OF BEL FUSE INC.

RoHS  
2002/95/EC



SUGGESTED PANEL OPENING



1. THE SUGGESTED PANEL OPENING IS INTENDED TO GIVE THE USER THE ABILITY TO HAVE REASONABLE JACK / PANEL CLEARANCES YET MAINTAIN RELIABLE GROUNDING CAPABILITY.
2. ALL TOLERANCES NOT OTHERWISE SPECIFIED TO BE  $\pm 0.005$  [0.13]

ORIGINATED BY	DATE	TITLE	PART NO. / DRAWING NO.	STANDARD DIM.	[ ] METRIC DIM. AS REFERENCE		 COMPONENTS OR A CONNECTED PLANET
Zeng Xiao Chun	03-21-2011	<b>MagJack<sup>®</sup></b> <b>TAB UP SHIELDED</b> <b>10/100/100BT</b> <b>PATENTED</b>	SI-51009-F	TOL. IN INCH	UNIT : INCH [mm]	REV. : A1	
DRAWN BY	DATE		FILE NAME	.X	SCALE : N/A	SIZE : A4	
Zhang Ru Sheng	03-21-2011		SI-51009-F.DWG	.XX		PAGE : 4	
				.XXX		$\pm 0.005$	