

6

5

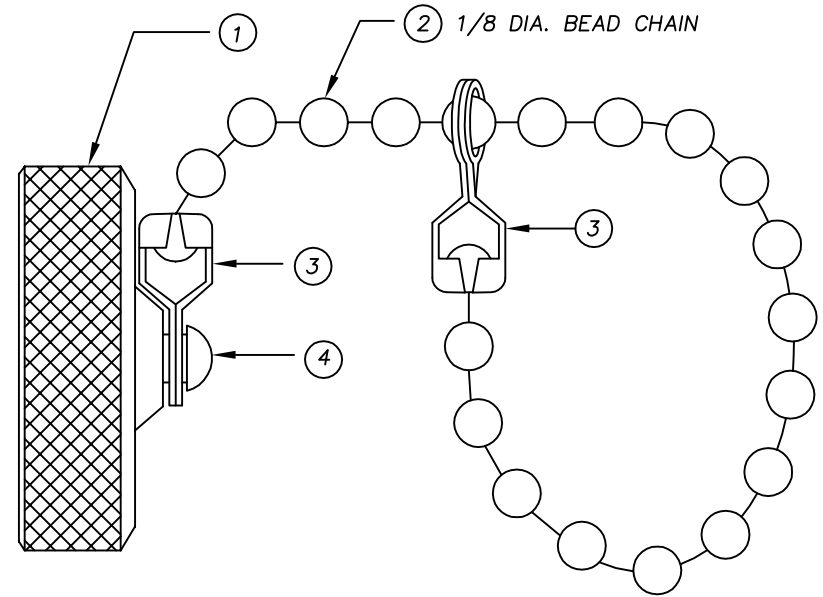
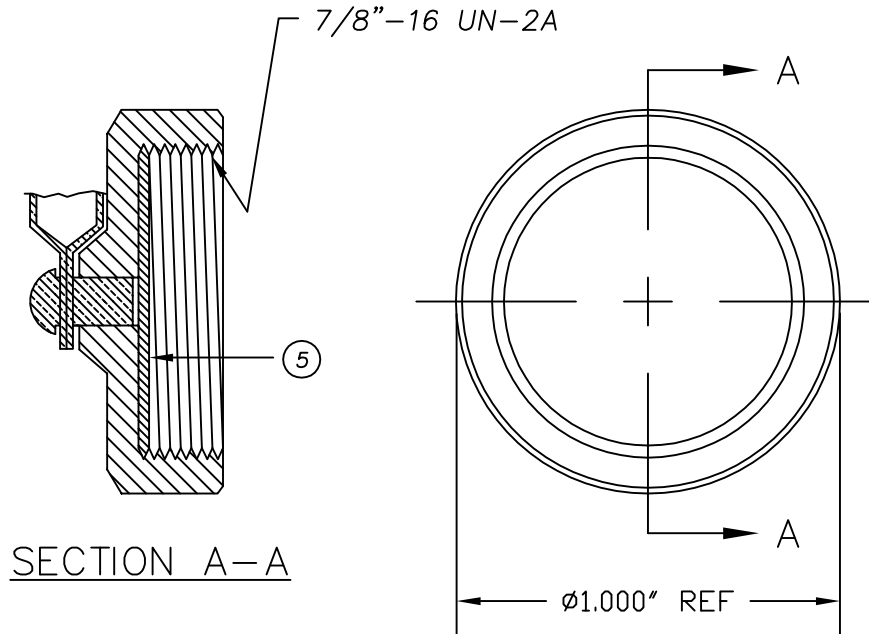
4

3

2

1

REF.	DESCRIPTION
1	303 ANODIZED ALUMINUM
2	6 INCH 1/8 DIA. STAINLESS STEEL BEAD CHAIN
3	STAINLESS STEEL CHAIN FASTENER
4	#4X3/16 DRIVE SCREW
5	NEOPRENE GASKET



SECTION A-A

Ø1.000" REF

PART #	ENGINEERING NUMBER
1302011111	65-0086

RELEASE DRAWING EC NO: WNA2010-0134 8/28/09 DRWN: TVICKERS CHKD: B.WOODMA 2009/08/28 APPR: DTITUS 2009/08/31	DESCRIPTION REV A	QUALITY SYMBOLS ▽=0 ∇=0	GENERAL TOLERANCES (UNLESS SPECIFIED)		DIMENSION STYLE ----		SCALE 2:1	DESIGN UNITS INCH	THIRD ANGLE PROJECTION	
			4 PLACES ±--- ±---	mm INCH	DRAWN BY T.V.	DATE 2009/08/28	TITLE MINI-CHANGE CLOS CAP FF A-SIZE INTERNAL THREAD WITH BEAD CHAIN AND LOOP			
			3 PLACES ±--- ±---	mm INCH	CHECKED BY B.WOODMA	DATE 2009/08/28	MOLEX INCORPORATED			
			2 PLACES ±--- ±---	mm INCH	APPROVED BY DTITUS	DATE 2009/08/28	MATERIAL NO. SEE CHART	DOCUMENT NO. SD-130046-009	SHEET NO. 1 OF 1	
1 PLACE ±--- ±---			ANGULAR ±---°		THIS DRAWING CONTAINS INFORMATION THAT IS PROPRIETARY TO MOLEX INCORPORATED AND SHOULD NOT BE USED WITHOUT WRITTEN PERMISSION					
DRAFT WHERE APPLICABLE MUST REMAIN WITHIN DIMENSIONS										

6

5

4

3

2

1