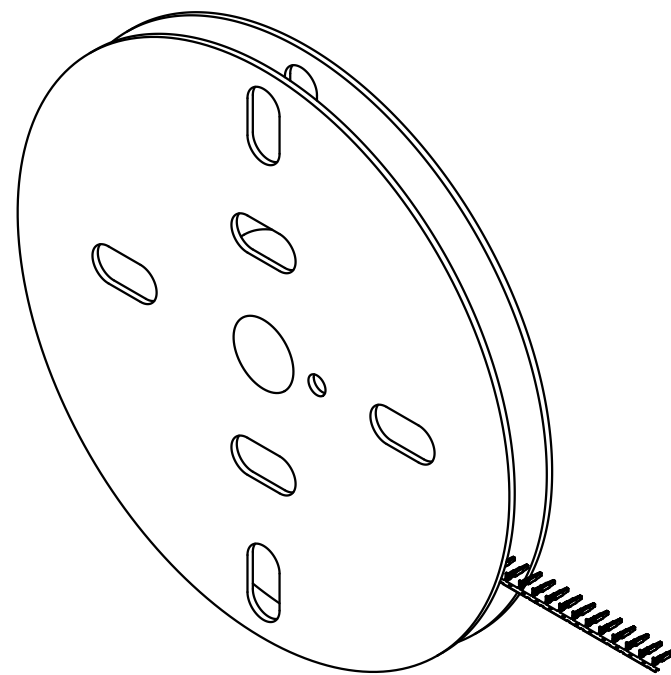
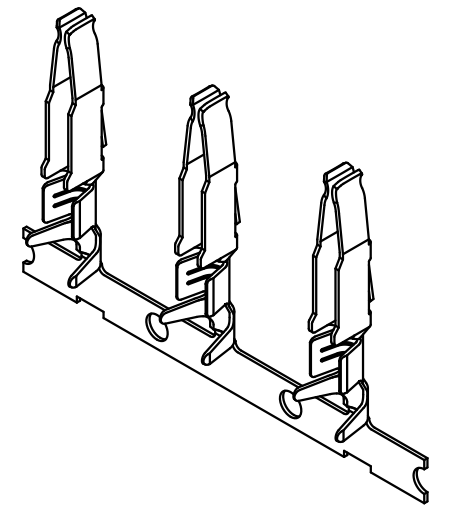
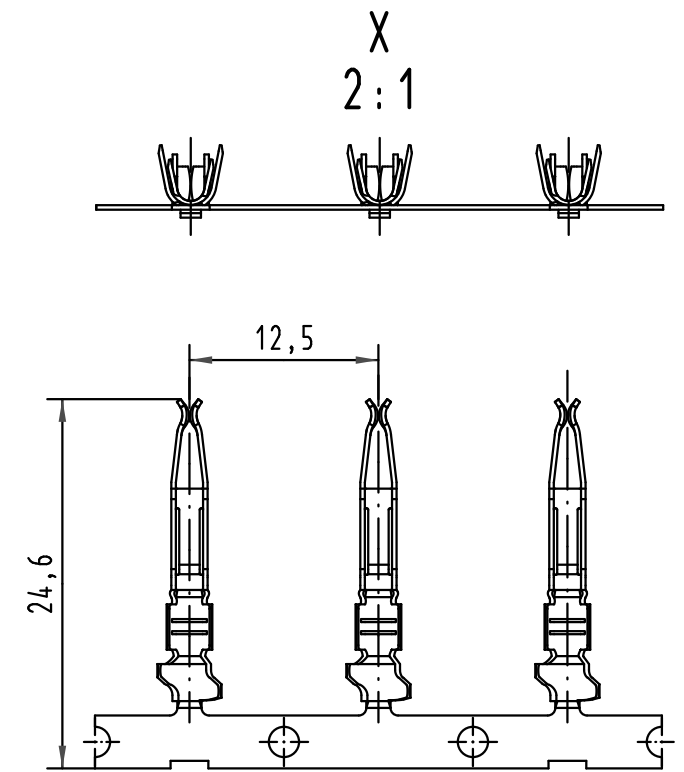
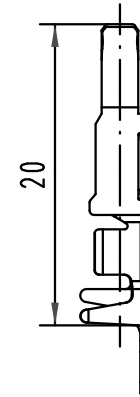
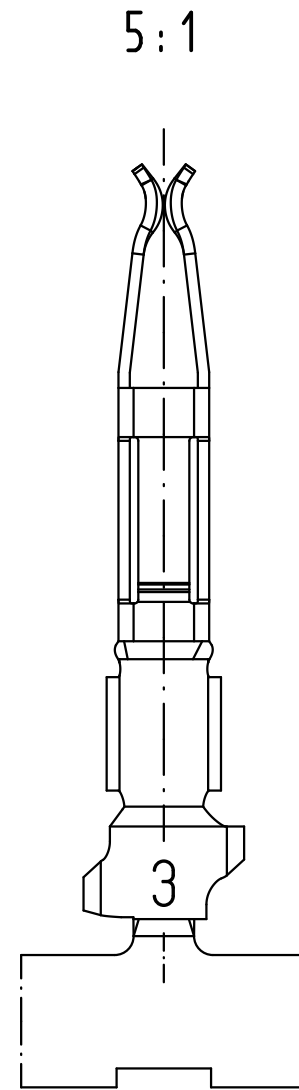
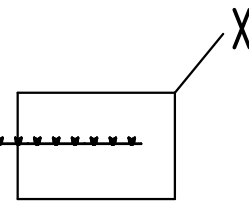
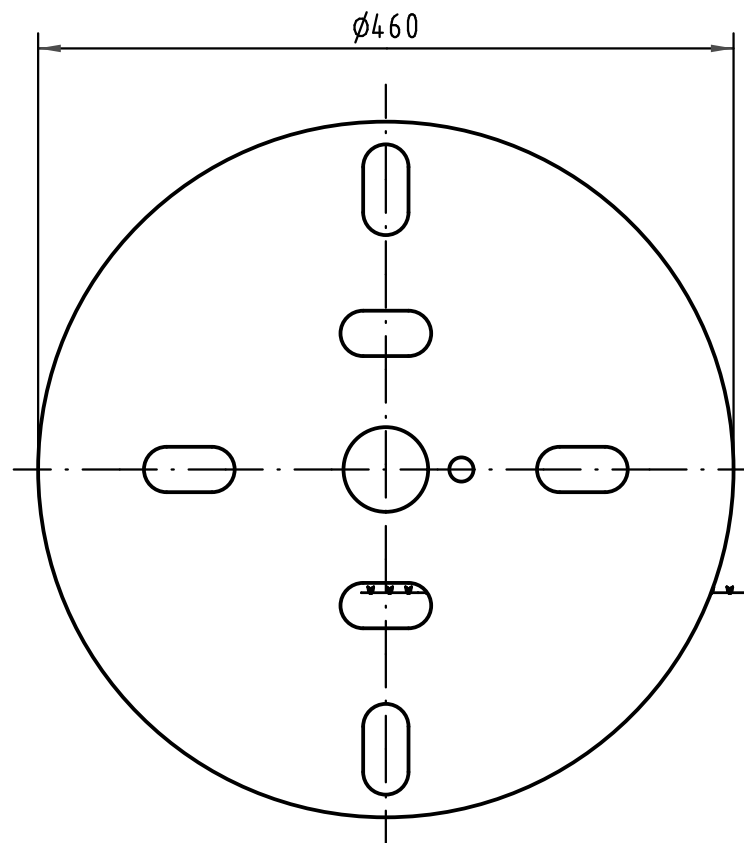
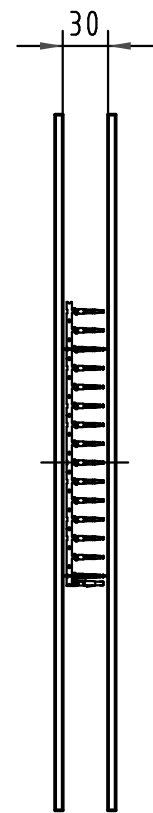


Alle Rechte vorbehalten/ All rights reserved



| | |
|-------------------------|--|
| 09 06 000 64 <u>8</u> 2 | 2 |
| 09 06 000 64 <u>7</u> 2 | 1 |
| Bestell-Nr. part-no. | Anforderungsstufe nach IEC performance level acc.to IEC |

| | | | | | | | | | |
|---|----------|-------|-----------------------------------|----------|------|--|--------------------------|-------------|---|
| All Dimensions in mm Original Size DIN A 3 | | | Techn. Character. | | | Nicht tolerierte Maßel Free size tolerances complementary IEC 60603-2 | | | |
| | | | | | | Bauform/type F-C crimp Federkontakt Crimpkontur 3 für 0,5 - 1,5mm ² 2500 Kontakte auf Haspel female contact crimp contour 3 for 0,5 - 1,5mm ² 2500 contacts on reel | | | |
| | | | Detail. | 17.01.06 | Leh. | | | | Maßstab/Scale 1:5 2:1; 5:1 |
| | | | Insp. | 17.01.06 | Ge. | | | | |
| | | | Stand. | | | | | | |
| 35449 | 18.11.08 | Hage. | HARTING Electronics GmbH & Co. KG | | | | TB 09 06 000 64x2 | Blatt/ page | |
| 33227 | | | D-32339 ESPELKAMP | | | | | | |
| Mod. | Dat. | Name | | | | | | | |