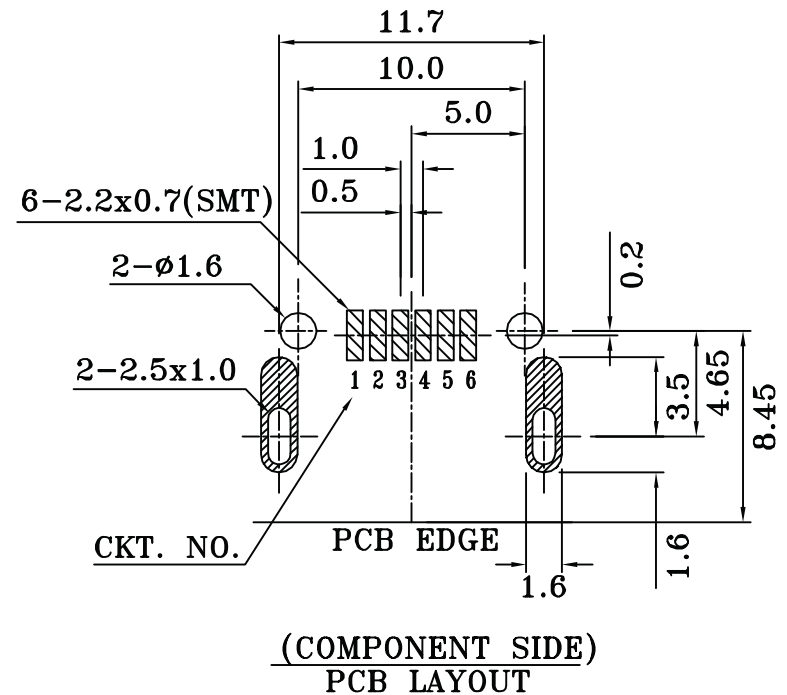
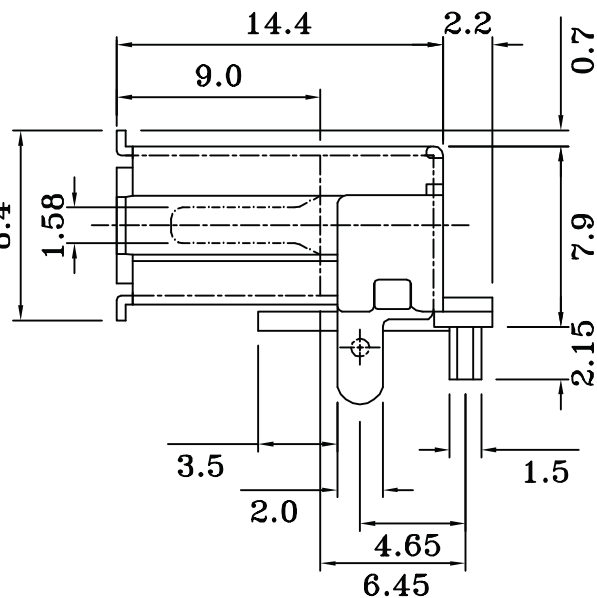
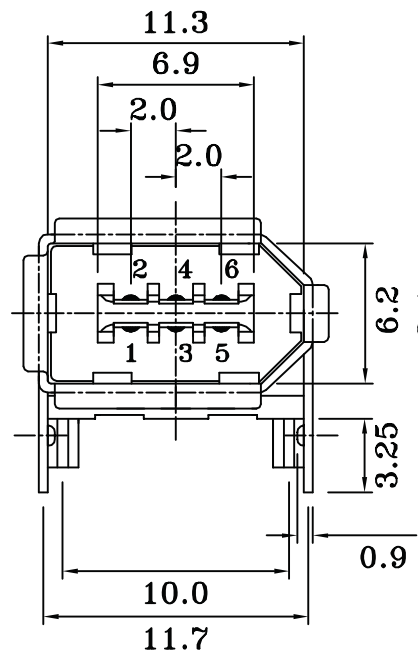


Material:

- Housing: Nylon PA9T G.F.
- Housing finish: Black
- Contact: Gold 30μ"
- Shell: Brass; t:0.4
- Shell finish: Nickel plated



Unit: mm



Scale	3:1					Date	Name	Title IEEE 1394 Connector SMT 90°, for PCB mount, Female type
TOLERANCE						Drawn	Chappell	
X.	±0.3					Approved	Groll	ASSMANN WSW-No. A-IE-S-SMT-R
X.X	±X							Drawing-No.
X.XX	±X							
DIM	TOL							
X.°	±X°							
X.X°	±X°	①	Updated all information	15.04.13	Wilson			rev01
Angle	TOL	Id.	Modification	Date	Name			Replace

