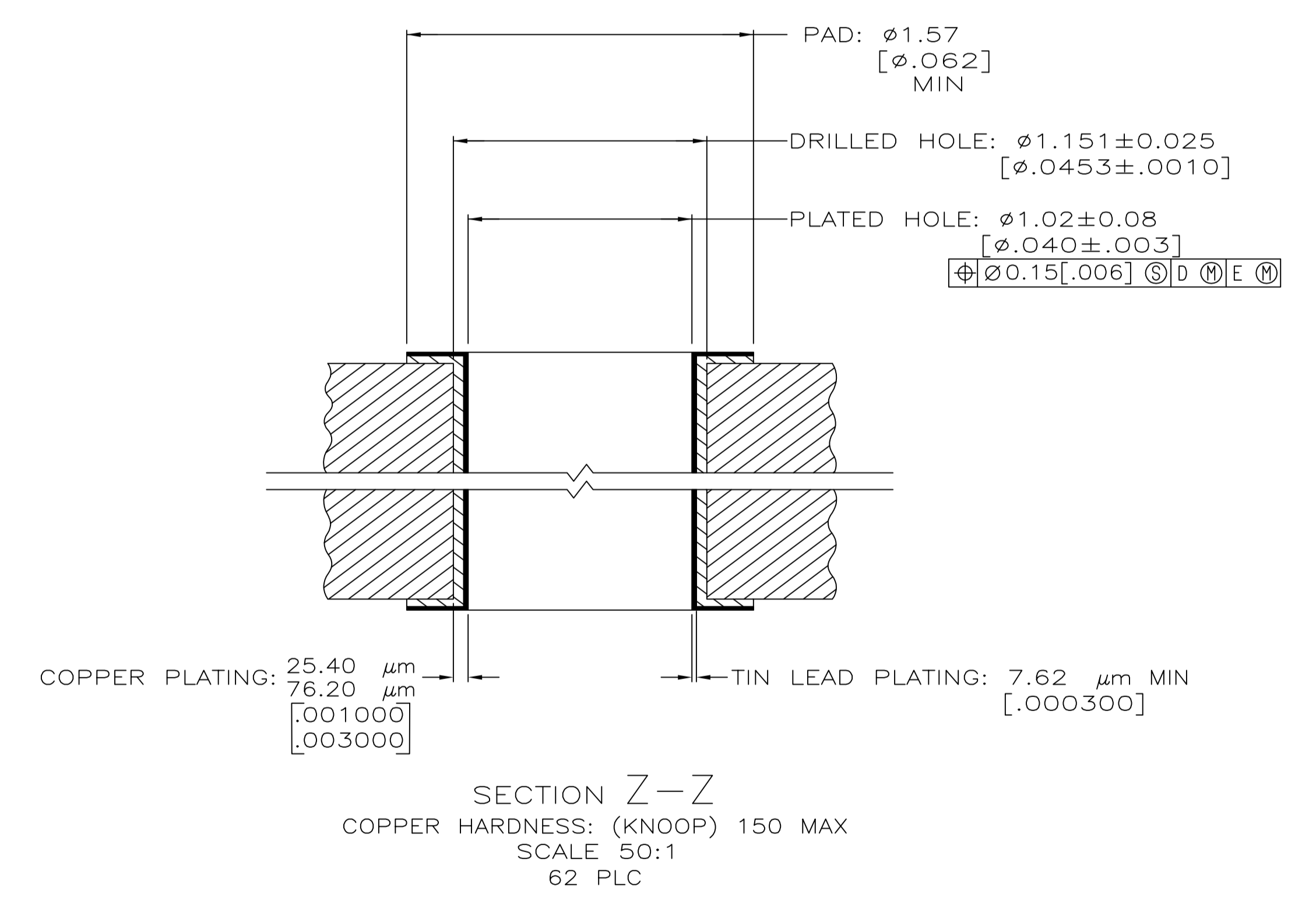
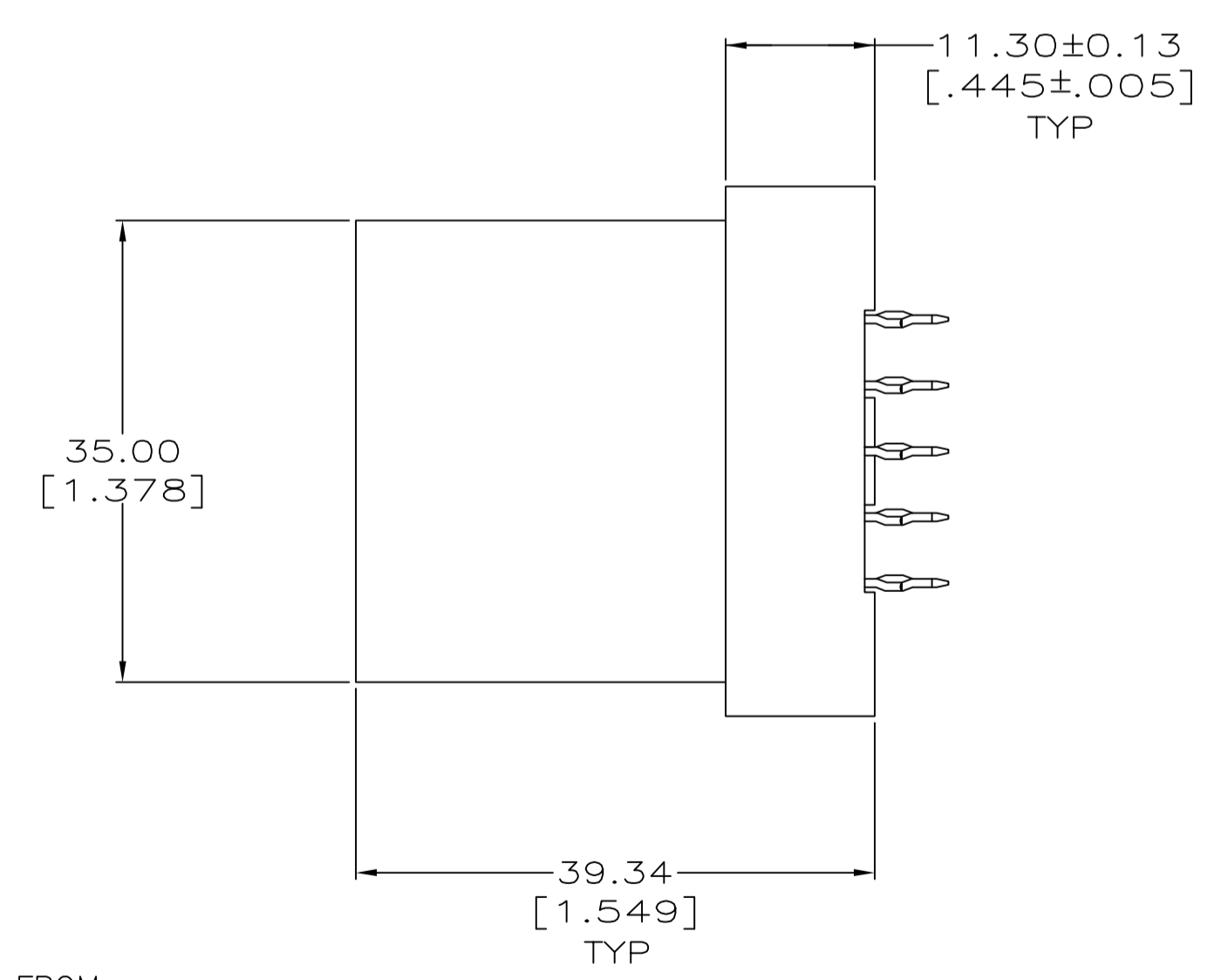
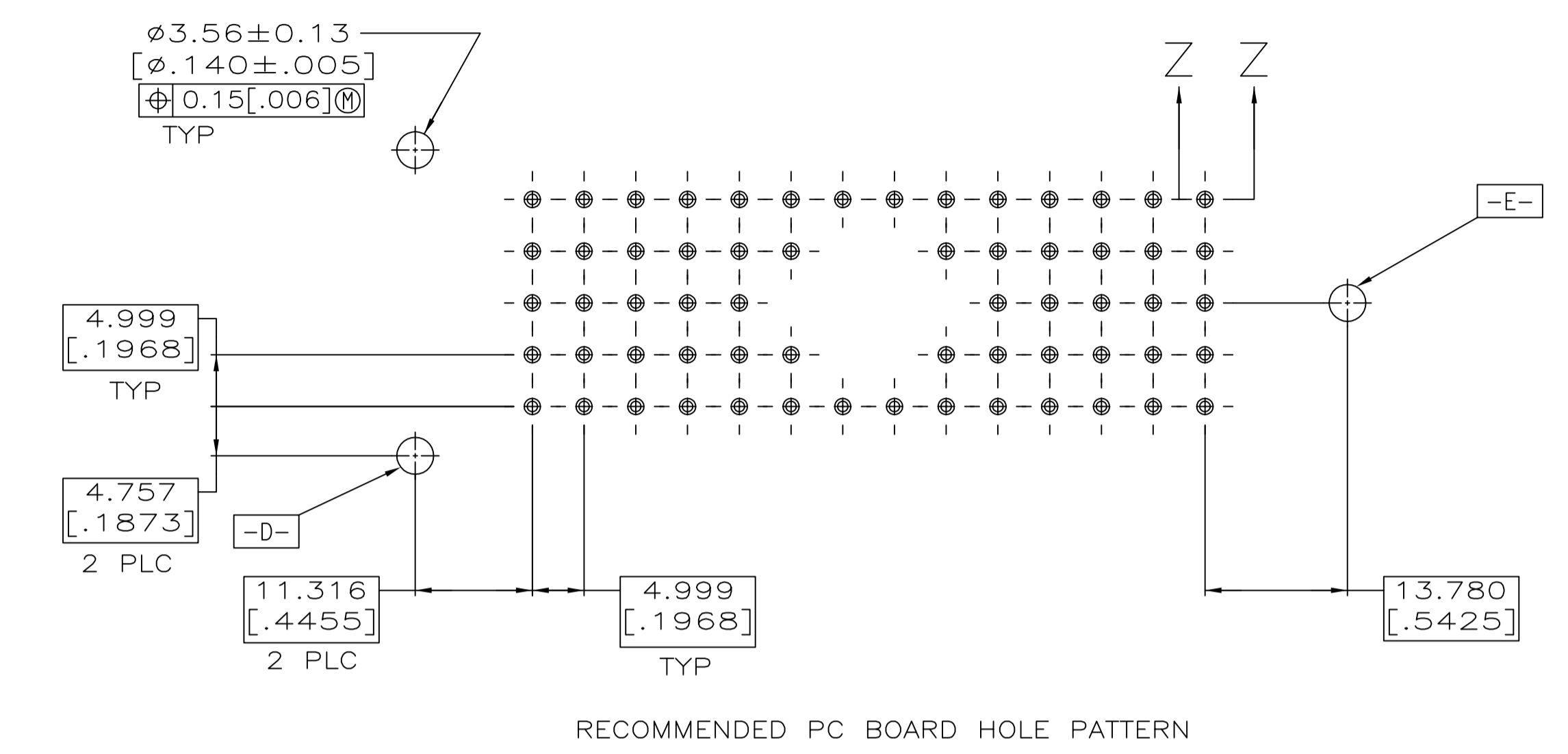
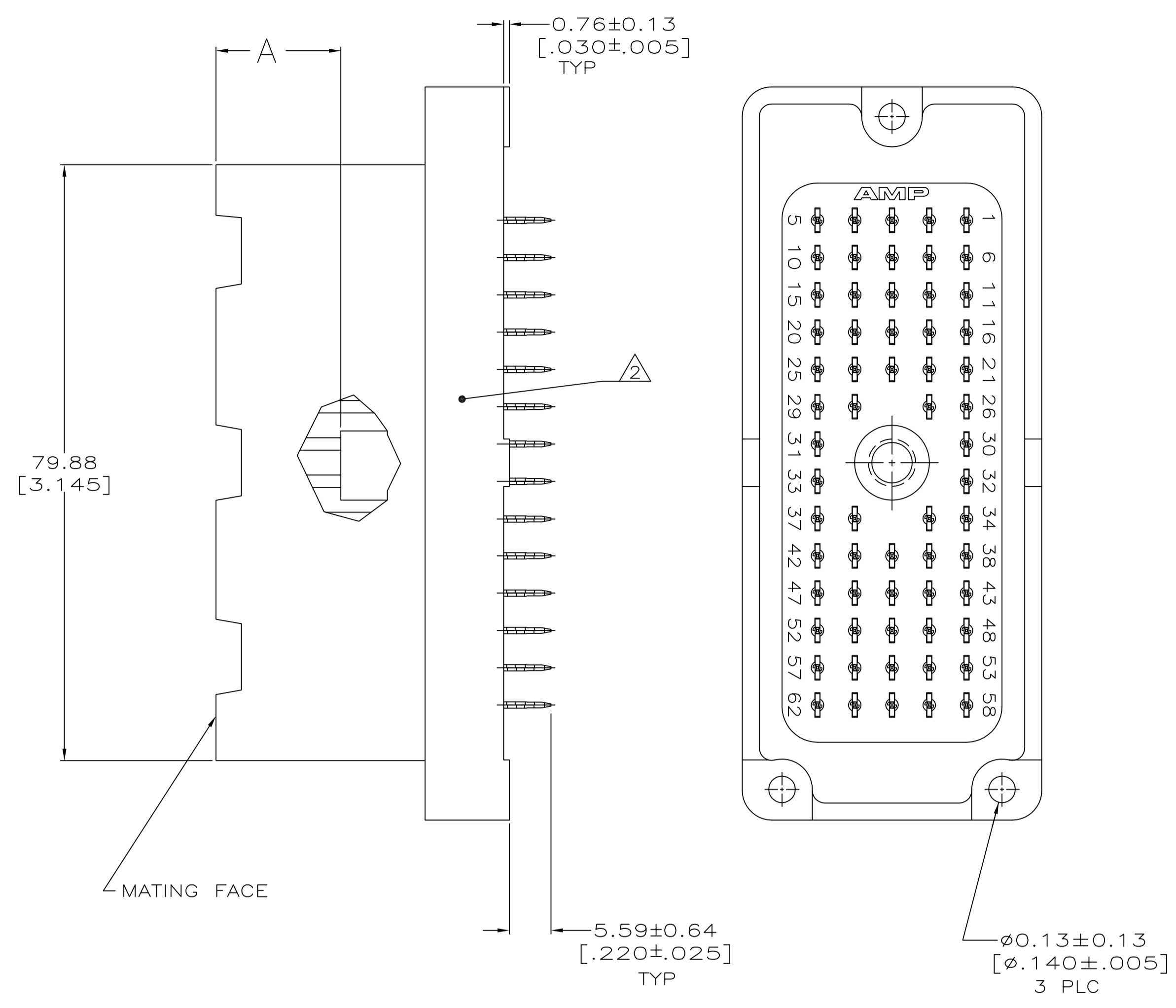
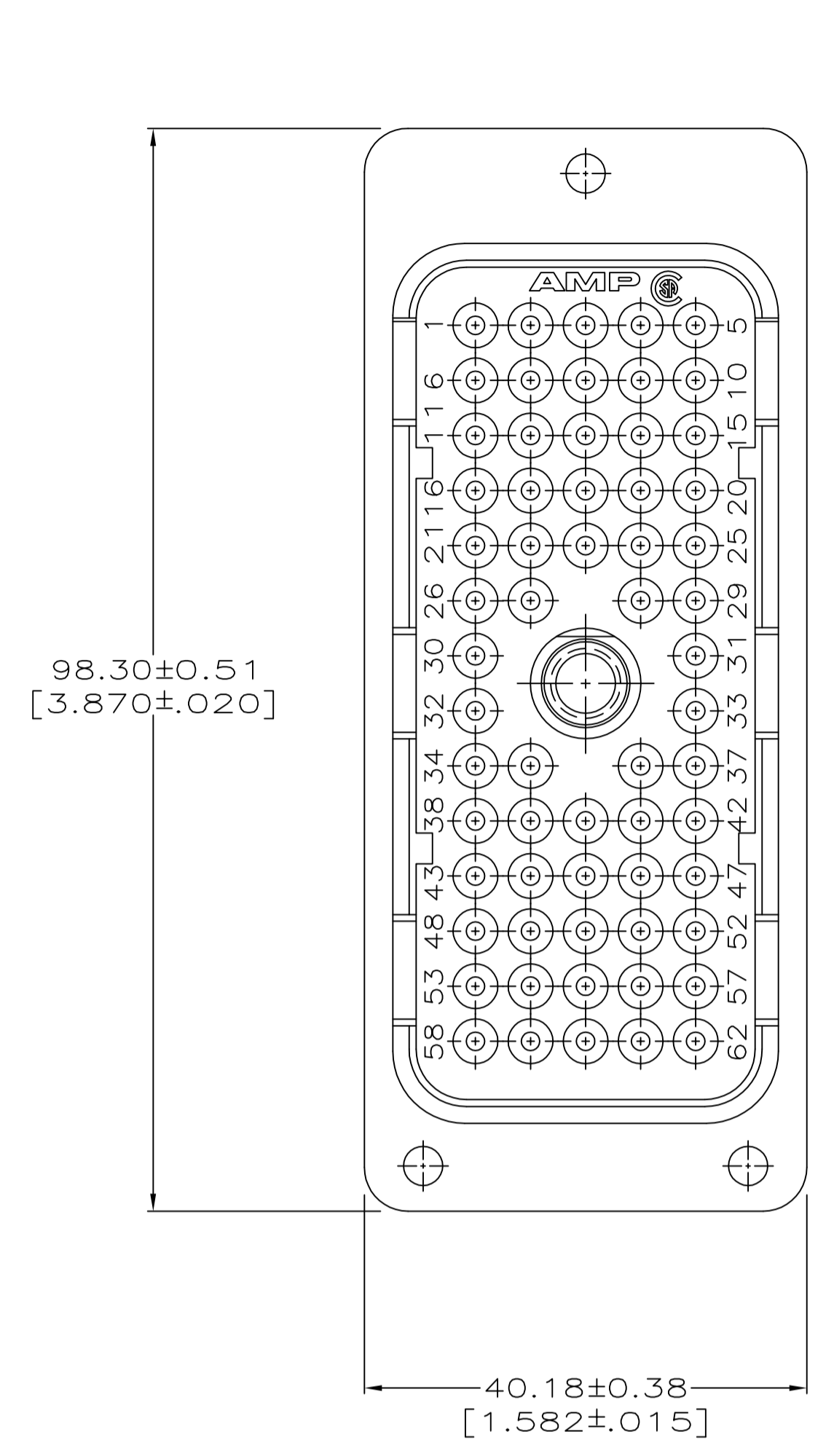


REVISIONS					
P	LTR	DESCRIPTION	DATE	DWN	APVD
D		REVISED PER ECO-07-008991	4/23/07	SS	GS
D1		REVISED PER ECO-09-020935	27AUG09	KK	AEG
E		REVISED PER ECO-17-009310	28JUN2017	RS	MZ



- 1 0.76μm[.000030] MIN GOLD FOR A LENGTH OF 5.46[.215] MIN FROM MATING END, 3.81μm[.000150] MIN TIN-LEAD ON OPPOSITE END FOR A LENGTH OF 5.08[.200] MIN, BOTH OVER 1.27μm[.000050] MIN NICKEL.
- 2 AMP PART NUMBER AND DATE CODE MARKED IN THIS AREA.
- 3 0.76μm[.000030] MIN GOLD FOR A LENGTH OF 7.62[.300] MIN FROM MATING END, 3.81μm[.000150] MIN TIN-LEAD ON OPPOSITE END FOR A LENGTH OF 5.08[.200] MIN, BOTH OVER 1.27μm[.000050] MIN NICKEL.
- 4 0.76μm[.000030] MIN GOLD FOR A LENGTH OF 7.62[.300] MIN FROM MATING END, 3.81μm[.000150] MIN TIN-LEAD ON OPPOSITE END FOR A LENGTH OF 5.08[.200] MIN, BOTH OVER 1.27μm[.000050] MIN NICKEL.
- 5 OBSOLETE PARTS: OBSOLETE CIS STREAMLINING PER D.RENAUD/D.SINISI

6.60 [.260]	4	213788-3
6.60 [.260]	3	213788-2
17.53 [.690]	1	213788-1
SUPERSEDED BY 213788-2		
A	CONTACT FINISH	PART NUMBER

THIS DRAWING IS A CONTROLLED DOCUMENT.		DIN C. OBERMAN 1-5-94	TE Connectivity	
DIMENSIONS: mm [INCHES]		CHK: R. STONE 1-7-94		
TOLERANCES UNLESS OTHERWISE SPECIFIED:		APVD: -	NAME: HEADER ASSEMBLY, 62 POSN, ACTION PIN TM	
0 PLC ± -		PRODUCT SPEC: -	SIZE: A1	
1 PLC ± -		APPLICATION SPEC: -	CAGE CODE: 00779	
2 PLC ± 0.25 [010]		WEIGHT: -	DRAWING NO: 213788	
3 PLC ± -		CUSTOMER DRAWING	SCALE: 2:1	
4 PLC ± -			SHEET 1 OF 1	
ANGLES ± -			REV E	