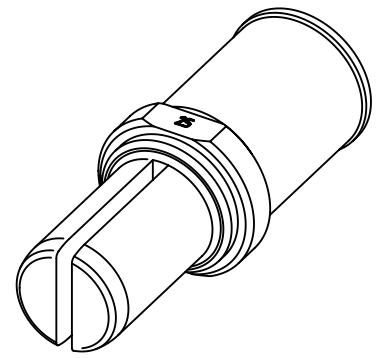
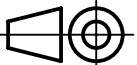



assembly notes see catalogue
 crimp zone acc. to DIN EN 46235
 indicator 25
 for stranded fine wire acc. to VDE 0295 class 5 / IEC 60228 class 5
 wire gauge: 185mm²
 stripping length: 42mm



 All Dimensions in mm Original Size DIN A4	Scale	Free size tol.		Ref.	
	1:1			Sub.	
 All rights reserved Department EL PD - DE	Created by	Inspected by	Standardisation	Date	State
	HOLLERT	BEISCHER	TIEMANNA	2013-07-26	Final Release
HARTING Electric GmbH & Co. KG D-32339 Espelkamp	Title			Doc-Key / ECM-Nr.	
	Han TC650 male contact, 185mm ²			100210235/UGD/004/B 500000063527	
Type		Number		Rev.	Page
TB		09 11 000 6165		B	1/1