

4

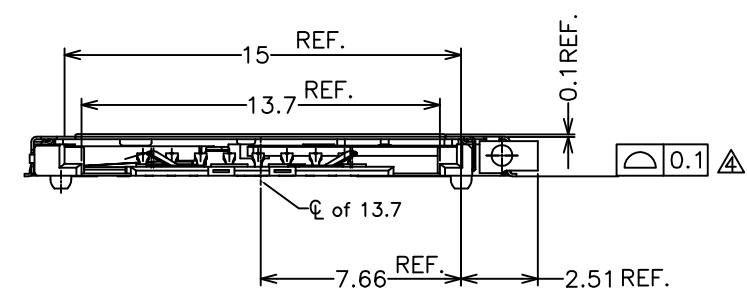
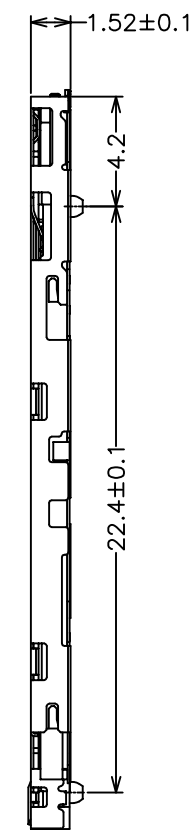
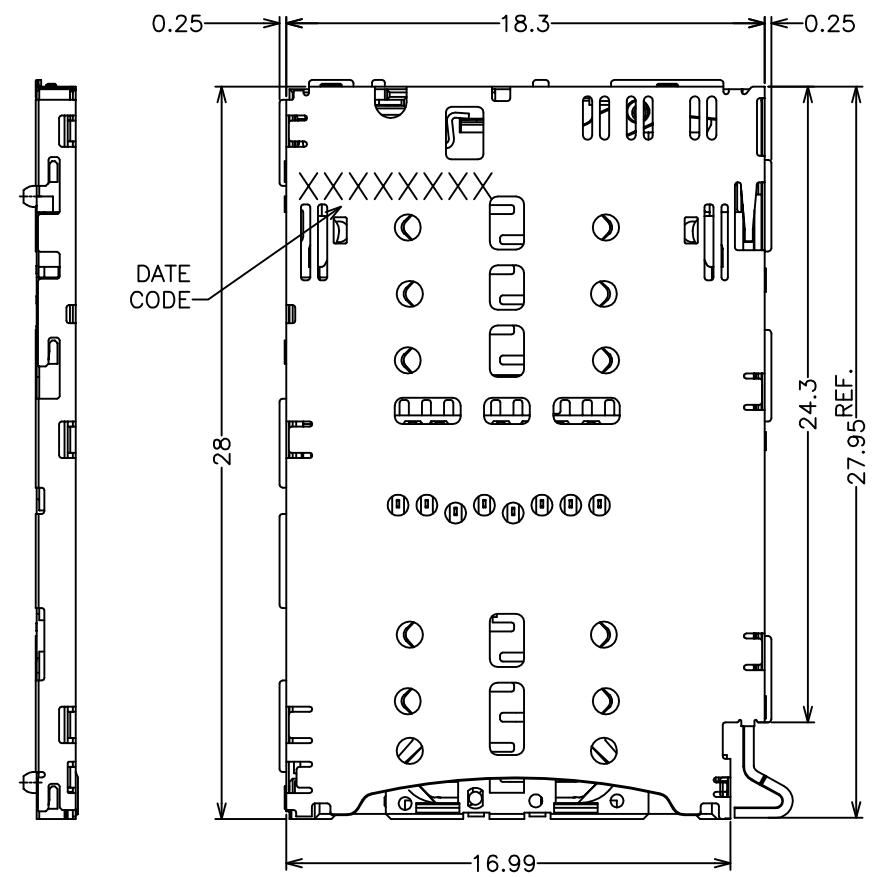
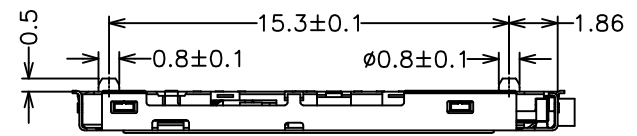
3

2

1

THIS DRAWING IS UNPUBLISHED. RELEASED FOR PUBLICATION  
 © COPYRIGHT - By - ALL RIGHTS RESERVED. TODOS LOS DERECHOS RESERVADOS.

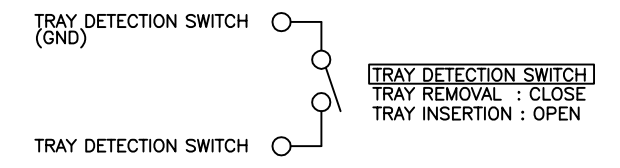
LOC	DIST	REVISIONS					
J	-	P	LTR	DESCRIPTION	DATE	DWN	APVD
		6	REVISED		31MAR2017	R.Z	C.W



- 1 MATERIAL:  
 HOUSING: HIGH TEMPERATURE THERMAL PLASTIC UL94V-0  
 CONTACT : COPPER ALLOY  
 SWITCH CONTACT : COPPER ALLOY  
 SHELL : STAINLESS STEEL  
 LATCH : STAINLESS STEEL  
 LATCH MOLD : HIGH TEMPERATURE THERMAL PLASTIC UL94V-0  
 SLIDER : STAINLESS STEEL  
 CAM : STAINLESS STEEL

- △ FINISH:  
 CONTACT : Ni UNDER PLATING  
 SOLDERING AREA : Au PLATING  
 CONTACT AREA : Au PLATING  
 SWITCH CONTACT : Ni UNDER PLATING  
 SOLDERING AREA : Au PLATING  
 CONTACT AREA : Au PLATING  
 SHELL : Ni UNDER PLATING  
 SOLDERING AREA : Au PLATING

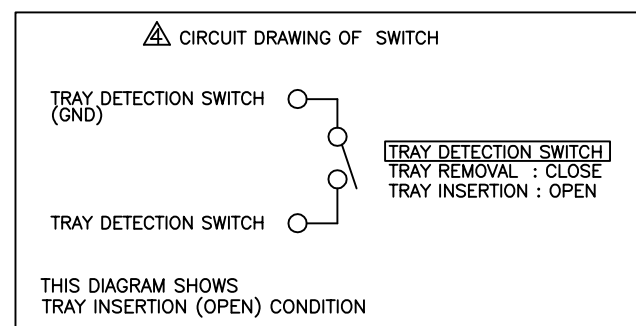
- △ CAM, SLIDER MOVING AREA.  
 △ COPLANARITY: 0.10MAX.  
 △ CIRCUIT DRAWING OF SWITCH.



THIS DIAGRAM SHOWS TRAY INSERTION (OPEN) CONDITION

- △ REFERENTIAL STENCIL DESIGN.  
 THICKNESS:0.1mm  
 OPENING RATIO: REFER TO SHEET 2  
 150%(BOTH SIDE GND PADS)  
 100%(OTHER PADS)

THIS PRINT IS PRELIMINARY  
 UNQUALIFIED PRODUCT  
 CONTACT PRODUCT ENGINEERING  
 BEFORE USING THIS PRINT

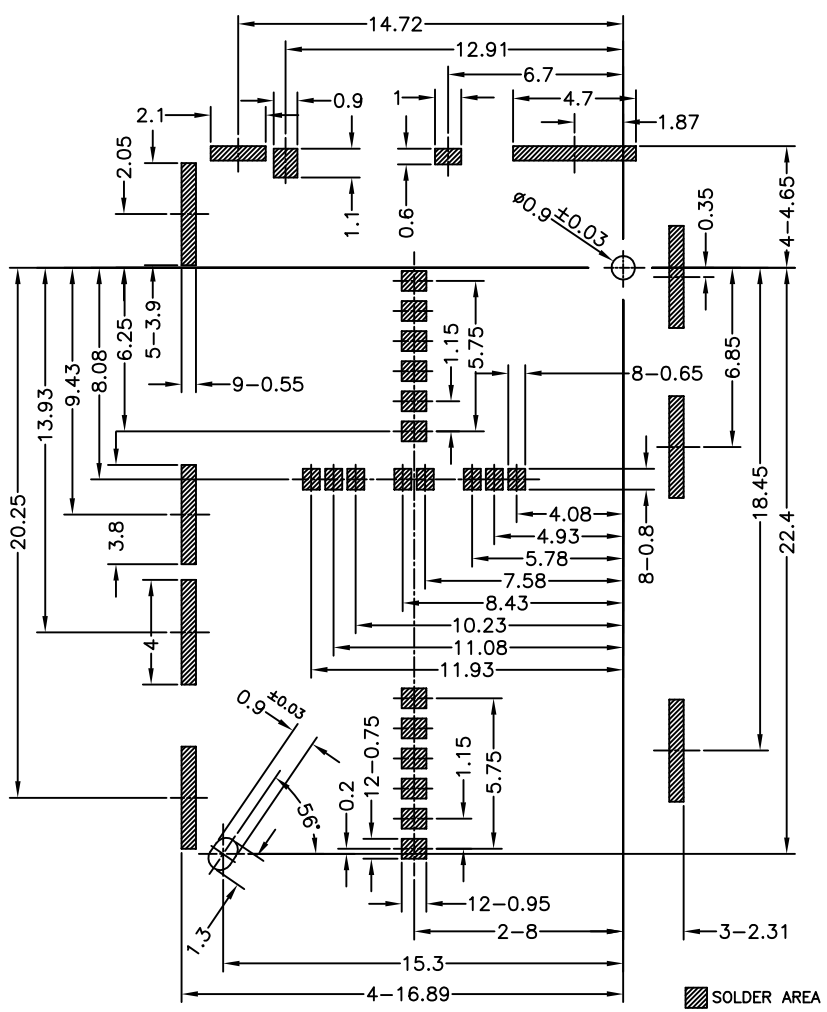


THIS DIAGRAM SHOWS TRAY INSERTION (OPEN) CONDITION

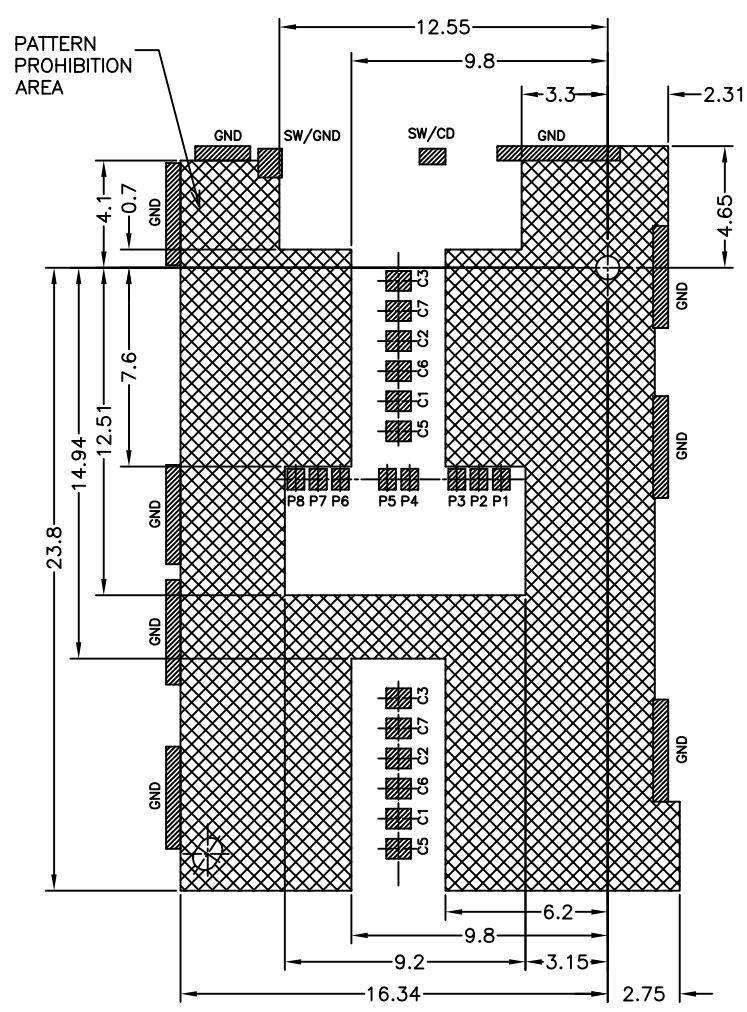
△	2295782-1
FINISH	PART NUMBER

THIS DRAWING IS A CONTROLLED DOCUMENT.		DWN	RICHARD MA	8SEP2015	 TE Connectivity	
DIMENSIONS: mm		CHK	SIMON LI	8SEP2015		
TOLERANCES UNLESS OTHERWISE SPECIFIED:		APVD	COREL WANG	8SEP2015		
0 PLC ± 0.15 1 PLC ± 0.15 2 PLC ± 0.1 3 PLC ± 0.1 4 PLC ± - ANGLES ± -		PRODUCT SPEC				
MATERIAL △		FINISH △	NAME PIN PUSH TRAY TYPE CONNECTOR 3 IN 2 FOR 4FF AND MCIRO SD CARD		RESTRICTED TO	
△		WEIGHT	A2	00779	C=2295782	
RESTRICTED CUSTOMER		SCALE	5:1	SHEET	1 of 4	REV 6

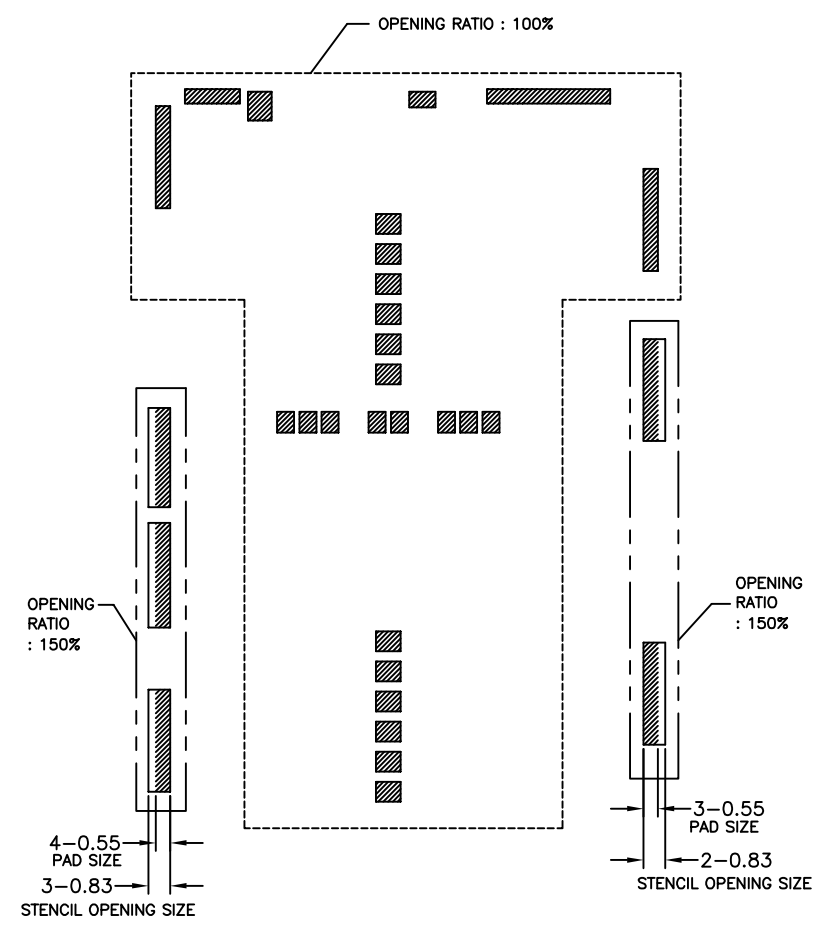
- 1:AS SHOWN



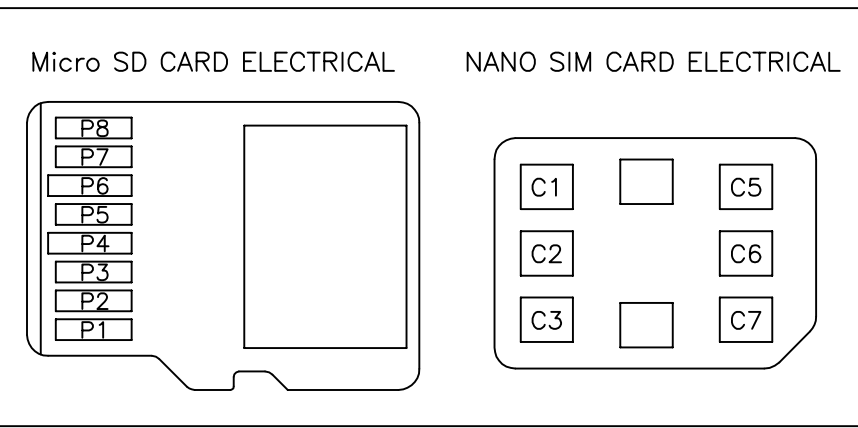
REFERENCE PCB LAYOUT (TOLERANCE : +/-0.05)  
FROM MOUNTING SURFACE



REFERENCE PCB LAYOUT (TOLERANCE : +/-0.05)  
FROM MOUNTING SURFACE  
 [X] PATTERN PROHIBITION AREA



▲ REFERENTIAL STENCIL DESIGN  
 [Hatched] PAD AREA  
 [White] STENCIL OPENING AREA



CONNECTOR PIN ASSIGNMENT

ITEM	FUNCTION
Micro SD CARD	
P1	DAT2 OF MSD
P2	CD/DAT3 OF MSD
P3	CMD OF MSD
P4	VDD OF MSD
P5	CLK OF MSD
P6	VSS OF MSD
P7	DAT0 OF MSD
P8	DAT1 OF MSD
SW	TRAY DETECTION SW
S	SHELL GND
NANO SIM CARD	
C1	VCC OF SIM
C2	RST OF SIM
C3	CLK OF SIM
C5	GND OF SIM
C6	VPP OF SIM
C7	DATA OF SIM

CARD PIN ASSIGNMENT

ITEM	FUNCTION
Micro SD CARD	
P1	DAT2 OF MSD
P2	CD/DAT3 OF MSD
P3	CMD OF MSD
P4	VDD OF MSD
P5	CLK OF MSD
P6	VSS OF MSD
P7	DAT0 OF MSD
P8	DAT1 OF MSD
NANO SIM CARD	
C1	VCC OF SIM
C2	RST OF SIM
C3	CLK OF SIM
C5	GND OF SIM
C6	VPP OF SIM
C7	DATA OF SIM

THIS DRAWING IS A CONTROLLED DOCUMENT.

DIMENSIONS: mm	TOLERANCES UNLESS OTHERWISE SPECIFIED: 0 PLC ± 1 PLC ± 2 PLC ± 3 PLC ± 4 PLC ± ANGLES ±	DWN	CHK	APVD	PRODUCT SPEC	APPLICATION SPEC	WEIGHT	RESTRICTED CUSTOMER
				NAME: PIN PUSH TRAY TYPE CONNECTOR 3 IN 2 FOR 4FF AND MICRO SD CARD				
SIZE: A2		CAGE CODE: 00779		DRAWING NO: C-2295782		RESTRICTED TO:		
SCALE: 8:1				SHEET: 2 of 4		REV: 6		

4

3

2

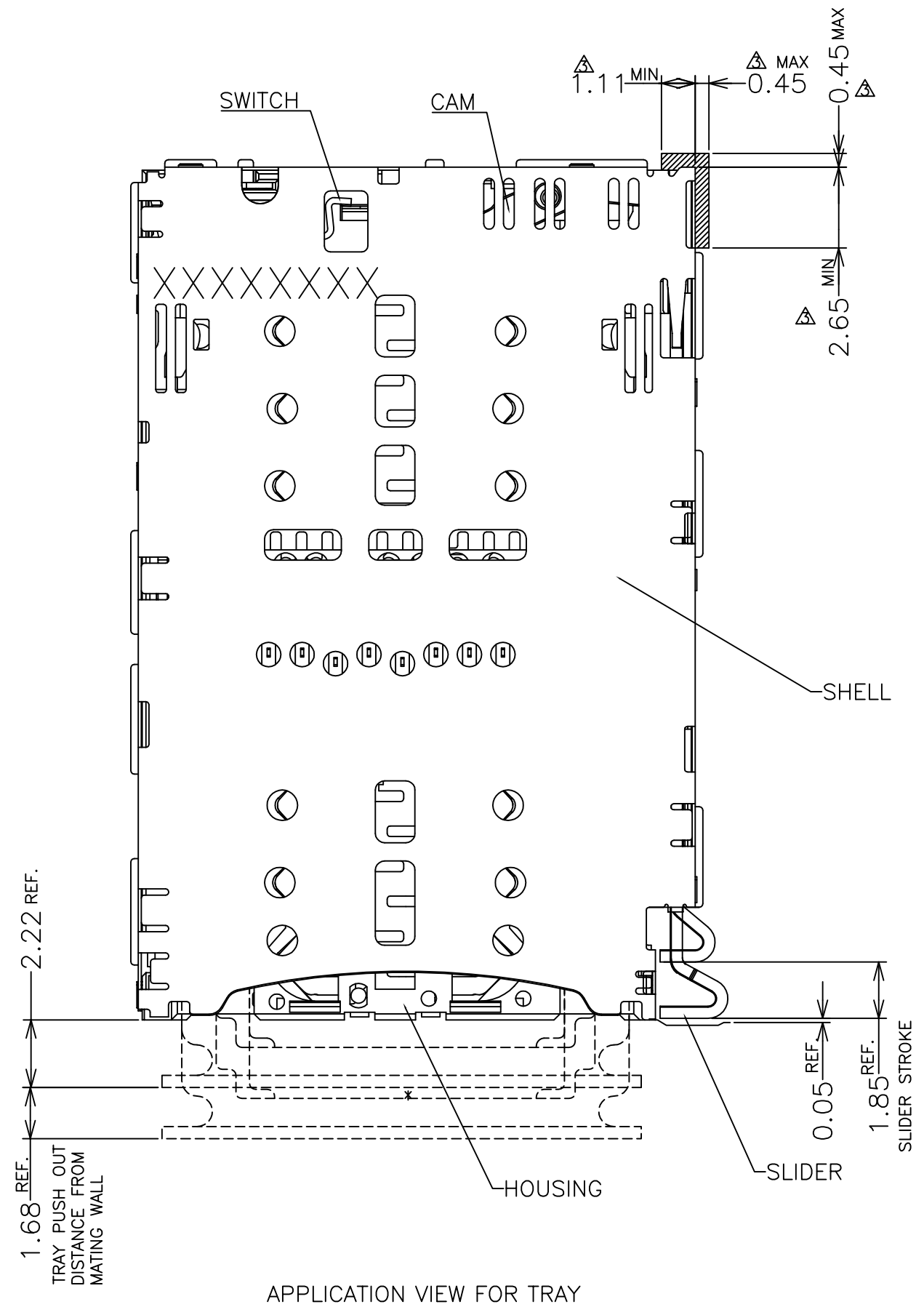
1

THIS DRAWING IS UNPUBLISHED. RELEASED FOR PUBLICATION  
 © COPYRIGHT - By - ALL RIGHTS RESERVED. TODOS LOS DERECHOS RESERVADOS.

LOC	DIST	REVISIONS			DATE	DWN	APVD
J	-	P	LTR	DESCRIPTION			
		-	-	SEE SHEET 1	-	-	-

D  
C  
B  
A

D  
C  
B  
A



APPLICATION VIEW FOR TRAY

THIS DRAWING IS A CONTROLLED DOCUMENT.		DWN	<b>STE</b> TE Connectivity	
DIMENSIONS: mm		CHK		
TOLERANCES UNLESS OTHERWISE SPECIFIED		APVD	NAME	
0 PLC ±		PRODUCT SPEC	PIN PUSH TRAY TYPE CONNECTOR	
1 PLC ±		APPLICATION SPEC	3 IN 2 FOR 4FF AND MICRO SD CARD	
2 PLC ±		WEIGHT	SIZE	CAGE CODE
3 PLC ±		RESTRICTED CUSTOMER	A2	00779
4 PLC ±			DRAWING NO	C-2295782
ANGLES ±		SCALE	8:1	SHEET
FINISH ±		RESTRICTED TO	3 of 4	REV
				6

4

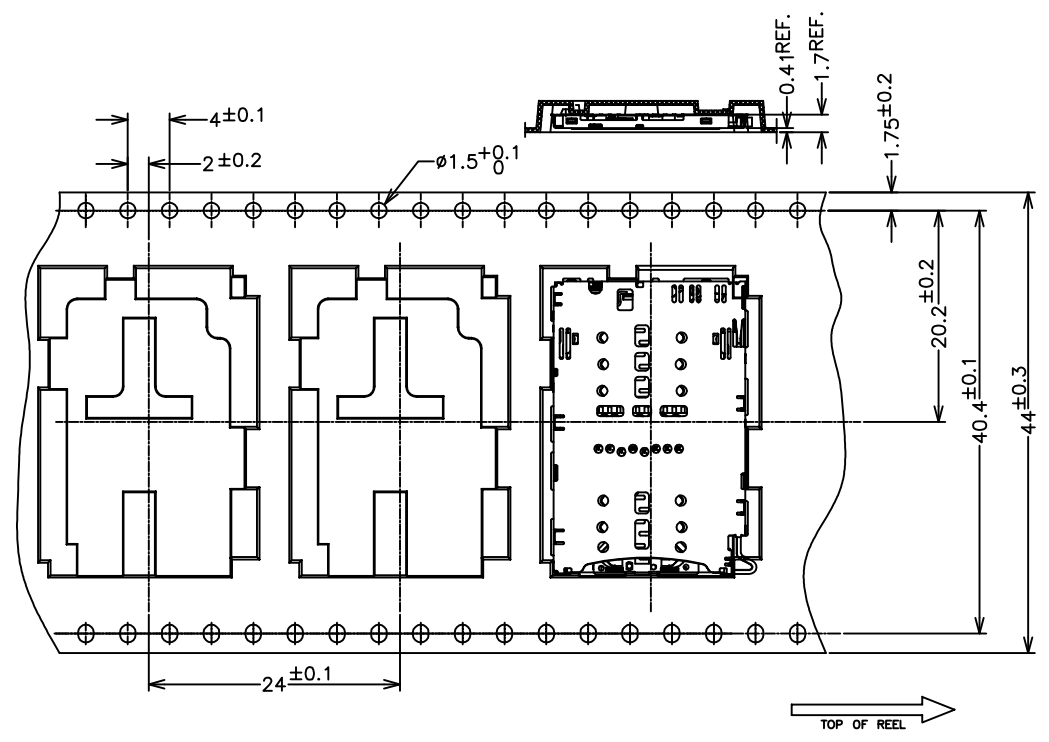
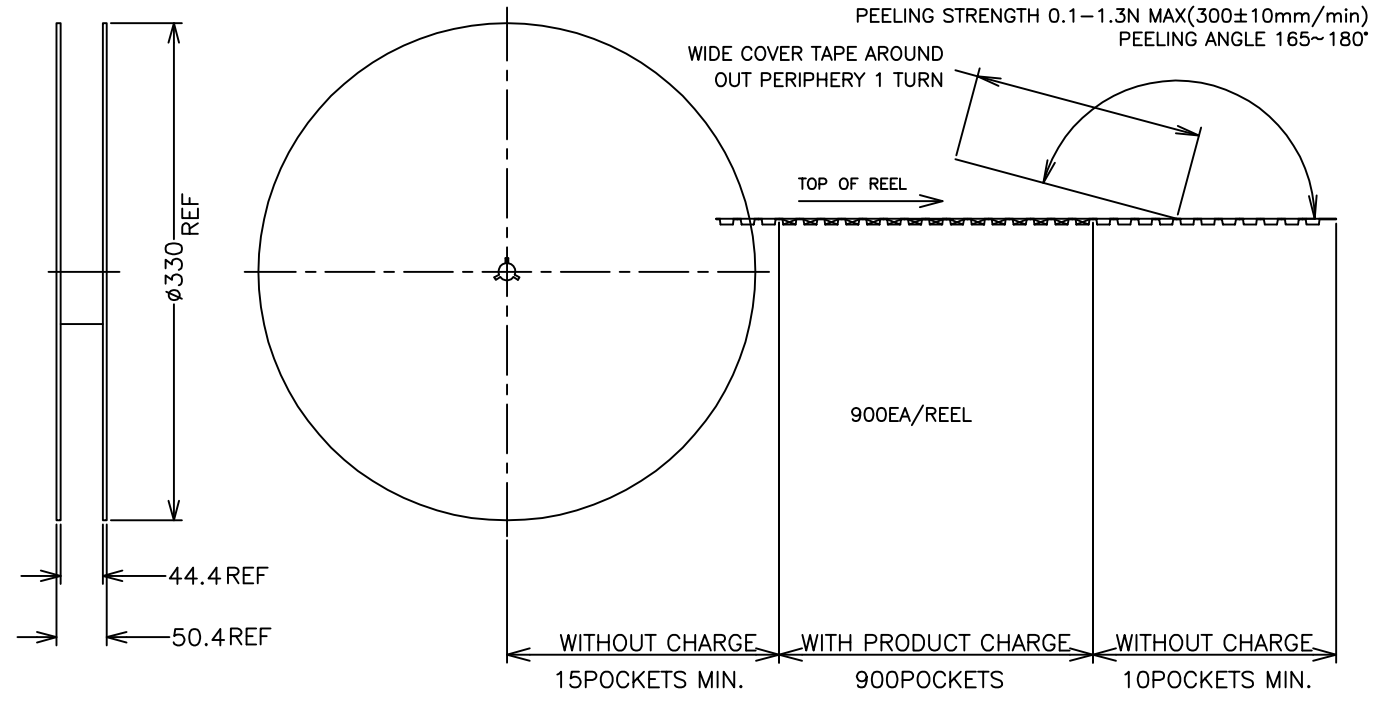
3

2

1

THIS DRAWING IS UNPUBLISHED. RELEASED FOR PUBLICATION  
 © COPYRIGHT - By - ALL RIGHTS RESERVED. TODOS LOS DERECHOS RESERVADOS.

LOC	DIST	REVISIONS			DATE	DWN	APVD
J	-	P	LTR	DESCRIPTION			
		-		SEE SHEET 1	-	-	-



THIS DRAWING IS A CONTROLLED DOCUMENT.		DWN	<b>STE</b> TE Connectivity	
DIMENSIONS: mm		CHK		
TOLERANCES UNLESS OTHERWISE SPECIFIED:		APVD	NAME	
0 PLC	±	PRODUCT SPEC	PIN PUSH TRAY TYPE CONNECTOR	
1 PLC	±	APPLICATION SPEC	3 IN 2 FOR 4FF AND MCIRO SD CARD	
2 PLC	±	WEIGHT	SIZE	CAGE CODE
3 PLC	±	RESTRICTED CUSTOMER	A2	00779
4 PLC	±	SCALE	DRAWING NO	REV
ANGLES	± -	SHEET	C-2295782	4 of 4
FINISH		REV		6

2295782