

5

4

3

2

1

D

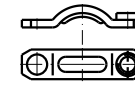
C

B

A

cable clamp

cable clamp screw



shell screw

cable ϕ_6^8

Hood cap

Ruber gasket

shielding plate

Hood

Holding caps

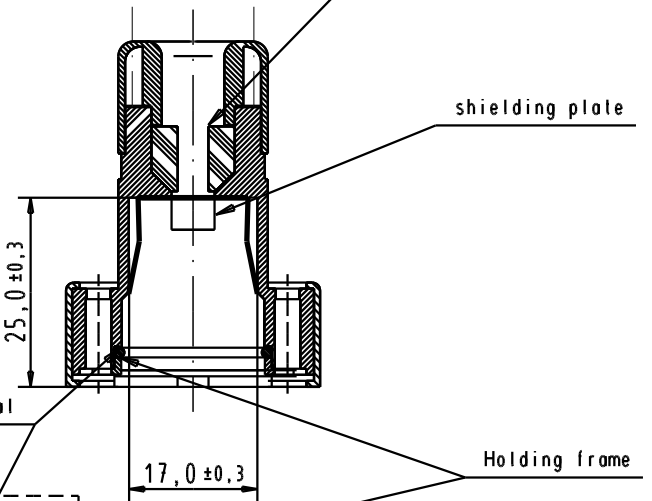
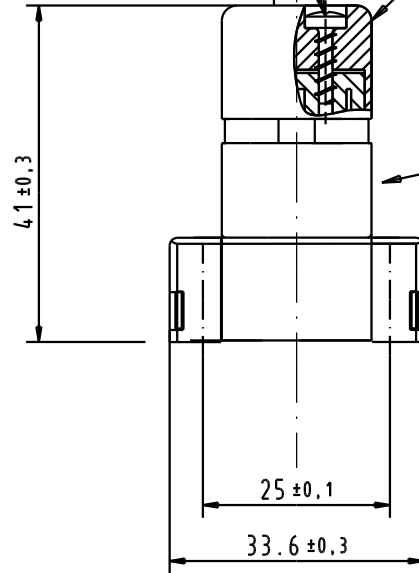
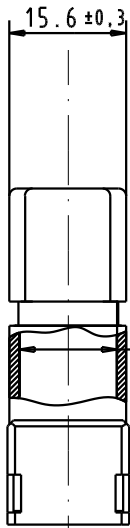
25,0 ± 0,3

O-ring seal

Holding frame

17,0 ± 0,3

detail A



15,60 ± 0,3

12,4 ± 0,3

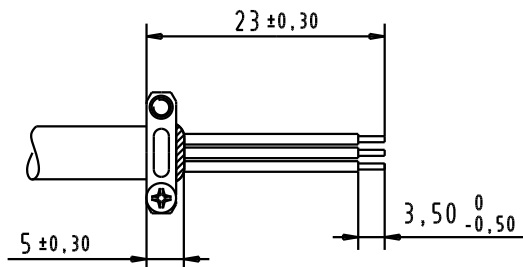
41 ± 0,3

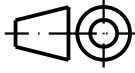

25 ± 0,1

33,6 ± 0,3

Mounting instructions

The stripped braid should not be fold back to avoid damaging the cable clamp and reducing its performance



				Dat.	Name	 All Dim. in mm Orig. Size DIN A 4	D-SUB IP67 9 Poles metallized plastic hood	Moßstab/ Scale
			Detail.	07/01/04	S.H.			1/1
			Insp.					
			Stand.					
31587	07/01/04	S.H.	HARTING ELEKTRONIK F-95972 Paris				TB 09 67 009 0437	Blatt/ Page
Mod.	Dat.	Name					Sub.	