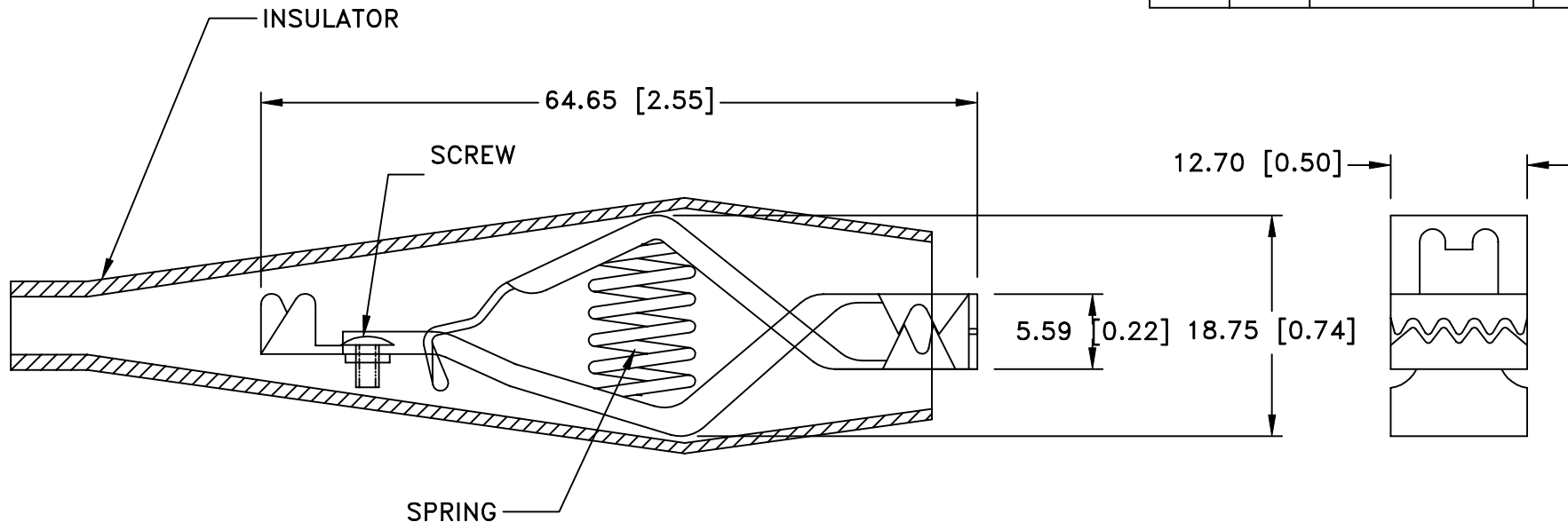



Date	SYM	REVISION RECORD	AUTH	DR.	CK.



NOTES:

MATERIAL:
 INSULATOR: PVC, BLACK
 CLIP: 302 STN. STL., SPRING TEMPER, NICKEL
 PLTD.
 SPRING: STN. STL.
 SCREW; STN.STL.

Tolerance (Except as noted)	 Memory Protection Devices, Inc 200 Broad Hollow Road, Farmingdale, New York 11735	
decimal ±.5 (.020)		
Fractional ± .8 (.030)	Title INSULATED BATTERY CLIP	
Angular ± 3°	Date 04/05/03	Drawing Number ZB3021-B

Scale	Drawn By B.S.
	Approved By T.B.