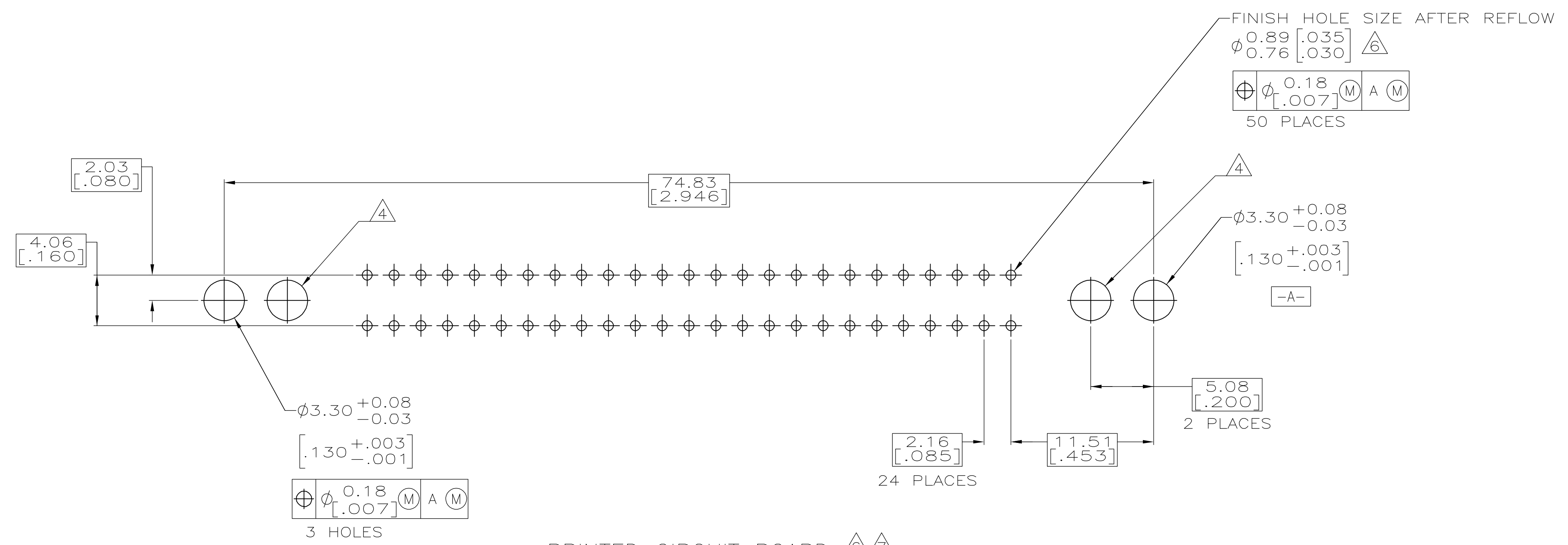
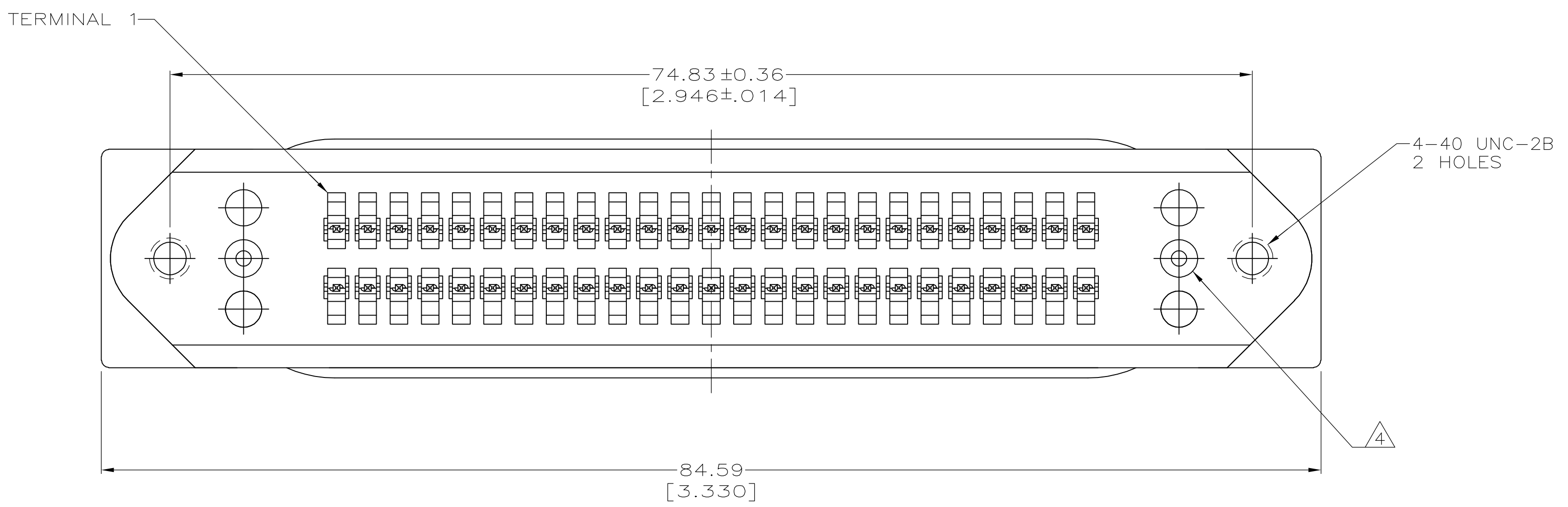
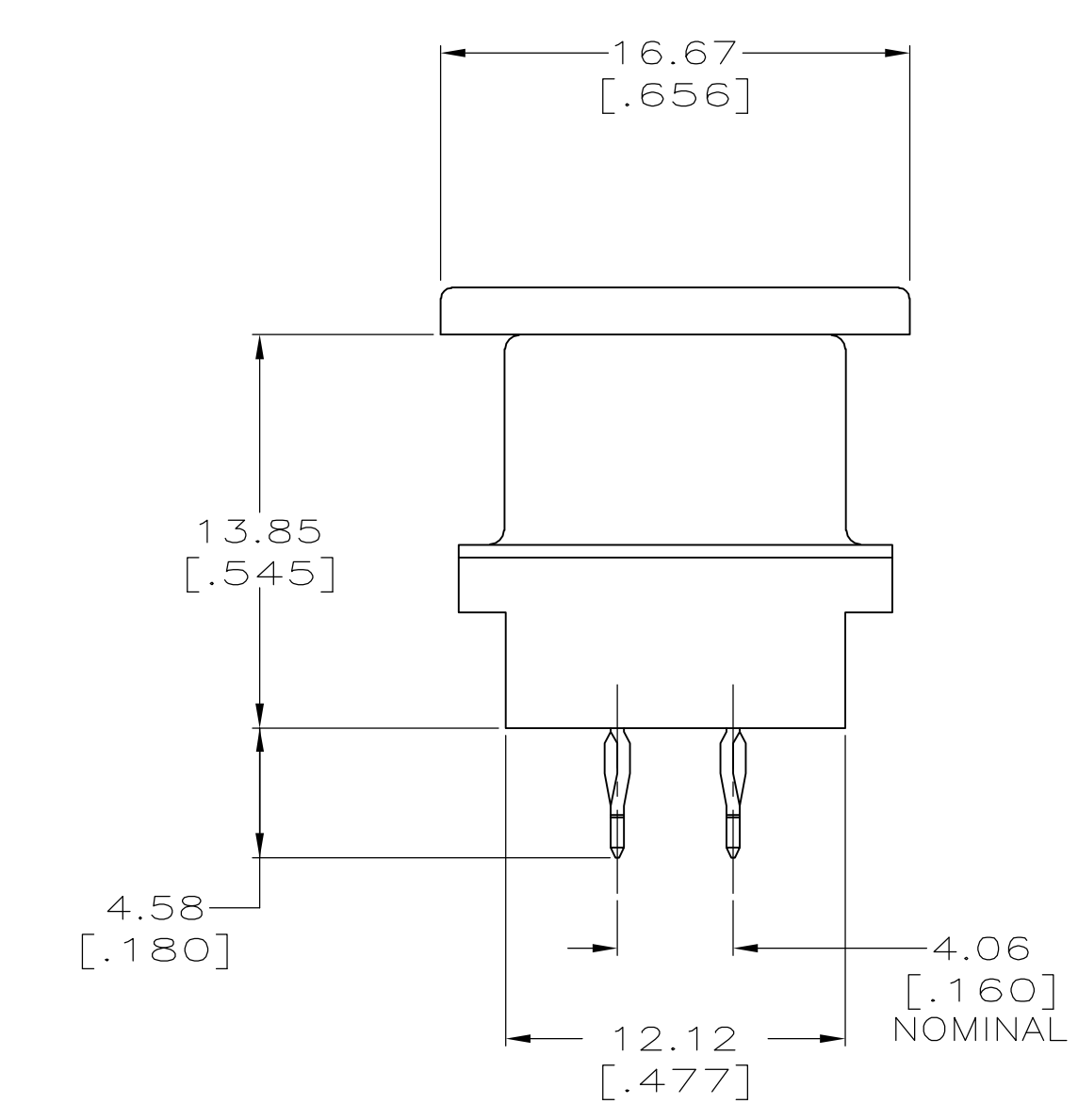
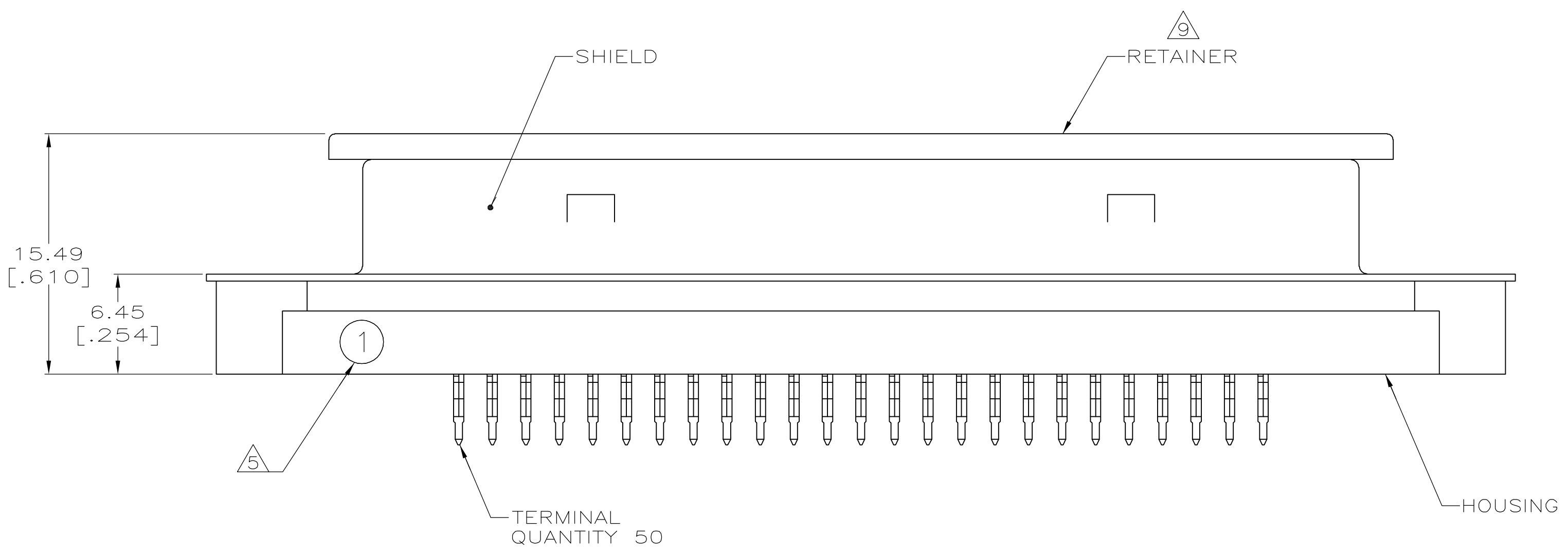


LOC		DIST		REVISIONS			
GP	00	F	LTR	DESCRIPTION	DATE	DRN	APVD
		0		REL. AS PER EC OS13-0575-04	JG	BL	JG



1. DIMENSIONS ARE MAXIMUM UNLESS OTHERWISE SPECIFIED.
2. MATERIAL: HOUSING - POLYESTER, BLACK.  
 TERMINAL - COPPER ALLOY PLATED WITH 0.76 μm [.000030] MINIMUM GOLD ON MATING SURFACE AND:  
 2.54 μm [.000100] MINIMUM TIN ON ACTION PIN AREA.  
 OVER 1.27 μm [.000050] MINIMUM NICKEL UNDERPLATE OVER ENTIRE TERMINAL.  
 RETAINER - POLYETHYLENE, NATURAL.  
 SHIELD - CARBON STEEL, PLATED BRIGHT NICKEL 5.08 μm [.000200] MINIMUM.
3. THE CONTACT SURFACES OF THE TERMINALS ARE COATED WITH LUBRICANT.
4. OPTIONAL MOUNTING HOLE FOR SELF-TAPPING SCREW.
5. "1" ON HOUSING INDICATES LOCATION OF TERMINAL 1.
6. ALL PLATED-THRU HOLES SHALL BE PER AMP SPEC 115-6072.
7. 50 LBS. MINIMUM FORCE REQUIRED TO UNSEAT CONNECTOR FROM PRINTED CIRCUIT BOARD WITHOUT USE OF HARDWARE.
8. CENTER-TO-CENTER SPACING OF TERMINALS IS 2.16 [.085] NOMINAL.
9. RETAINER MUST REMAIN INSTALLED UNTIL AFTER CONNECTOR HAS BEEN INSERTED INTO PCB HOLES.

PRINTED CIRCUIT BOARD MOUNTING DIMENSIONS

5557984-2  
PART NUMBER

THIS DRAWING IS A CONTROLLED DOCUMENT.		DWN S2 LATTUCA	11AUG05		Tyco Electronics Corporation Harrisburg, Pa 17105-3608	
DIMENSIONS: mm [INCHES]		CHK W MILLHIMES	11AUG05		NAME M. WALSLEY	
TOLERANCES UNLESS OTHERWISE SPECIFIED:		0 PLC ± -		PRODUCT SPEC		
1 PLC ± -		2 PLC ± -		108-6019		
3 PLC ± -		4 PLC ± -		APPLICATION SPEC		
ANGLES ± -		FINISH		114-6027		
MATERIAL		WEIGHT		SIZE CAGE CODE DRAWING NO		
2		-		A1 00779 C=5557984		
		CUSTOMER DRAWING		RESTRICTED TO		
				SCALE 4:1 SHEET 1 OF 1 REV 0		