

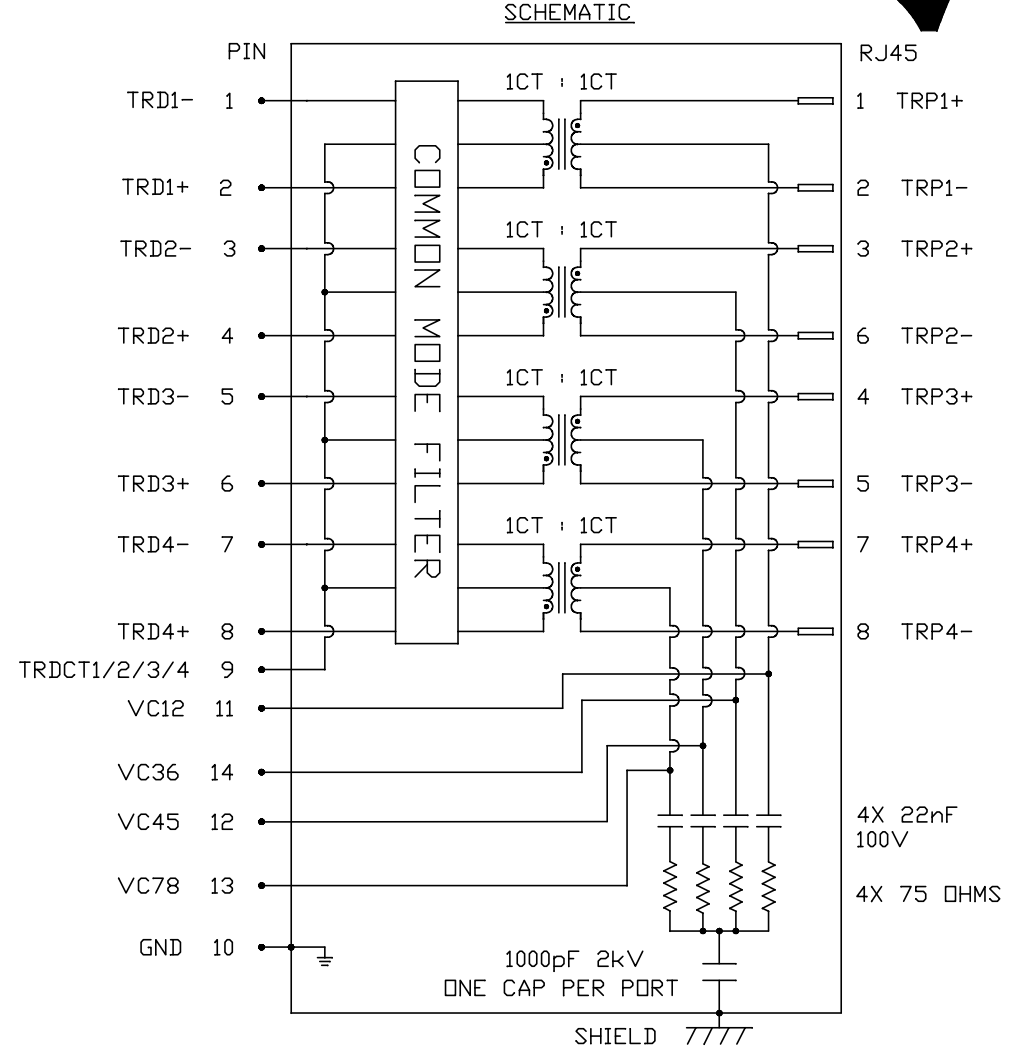
THE INFORMATION CONTAINED HEREIN IS CONSIDERED "PROPRIETARY" TO BEL FUSE INC. AND SHALL NOT BE COPIED, REPRODUCED OR DISCLOSED WITHOUT THE WRITTEN APPROVAL OF BEL FUSE INC.

PRELIMINARY



ELECTRICAL CHARACTERISTICS @ 25°C

**URNS RATIO**  
 TP1 1CT : 1CT ±2%  
 TP2 1CT : 1CT ±2%  
 TP3 1CT : 1CT ±2%  
 TP4 1CT : 1CT ±2%  
**DCL @ 100kHz/100mVRMS**  
 8mA DC BIAS (0°C - 70°C) 180 μH MIN.  
 19mA DC BIAS (0°C - 70°C) 120 μH MIN.  
**INS. LOSS**  
 1MHZ TO 150MHZ -0.004(fMHZ)-0.4 dB MAX  
**RET. LOSS**  
 1MHZ-40MHZ -20 dB MIN  
 40.1MHZ-150MHZ -20+15LOG(f/40MHZ) dB MIN  
**CROSSTALK**  
 1MHZ - 40MHZ -35 dB MIN  
 40.1MHZ-150MHZ -35+15LOG(f/40MHZ) dB MIN  
**CM TO CM REJ**  
 1MHZ - 150MHZ -25 dB MIN  
**HIPOT (Isolation Voltage):** 2250 VDC  
 100% OF PRODUCTION TESTED TO COMPLY WITH IEEE 802.3 ISOLATION REQUIREMENTS.  
 NOTE: PORT-TO-PORT ISOLATION NOT INCLUDED.  
**BALANCED DC LINE CURRENT** 720 mA MAX. @ 57 VDC CONTINUOUS  
 1.2A MAX. @ 57 VDC FOR 200 MILLISECONDS



REV. : PA PAGE : 2

**ORIGINATED BY**  
 CHOW WANCHUNG  
**DATE** 2016-03-11  
**DRAWN BY**  
 MURPHY LEE  
**DATE** 2016-03-11

**TITLE**  
 2X4 2.5 Gigabit MagJack®  
 4PPoE  
 0854-2X4R-JD-F  
 PATENTED

**PART NO. / DRAWING NO.**  
 08542X4RJD-F  
**FILE NAME**  
 08542X4RJD-F\_PA.DWG

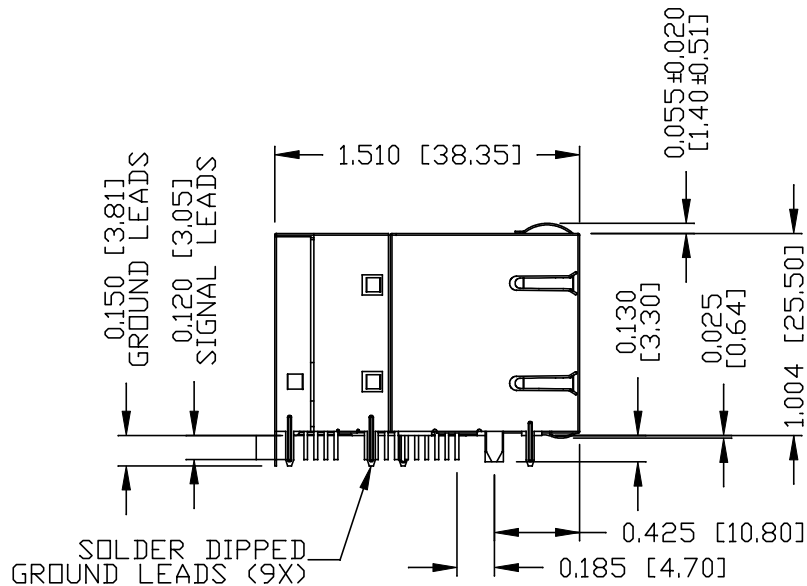
**STANDARD DIM. TOL. IN INCH**  
 .X  
 .XX  
 .XXX  
**[ ] METRIC DIM. AS REF.**  
 UNIT : INCH [mm]  
 SCALE : N/A  
 SIZE : A4



THE INFORMATION CONTAINED HEREIN IS CONSIDERED "PROPRIETARY" TO BEL FUSE INC. AND SHALL NOT BE COPIED, REPRODUCED OR DISCLOSED WITHOUT THE WRITTEN APPROVAL OF BEL FUSE INC.

PRELIMINARY

RoHS

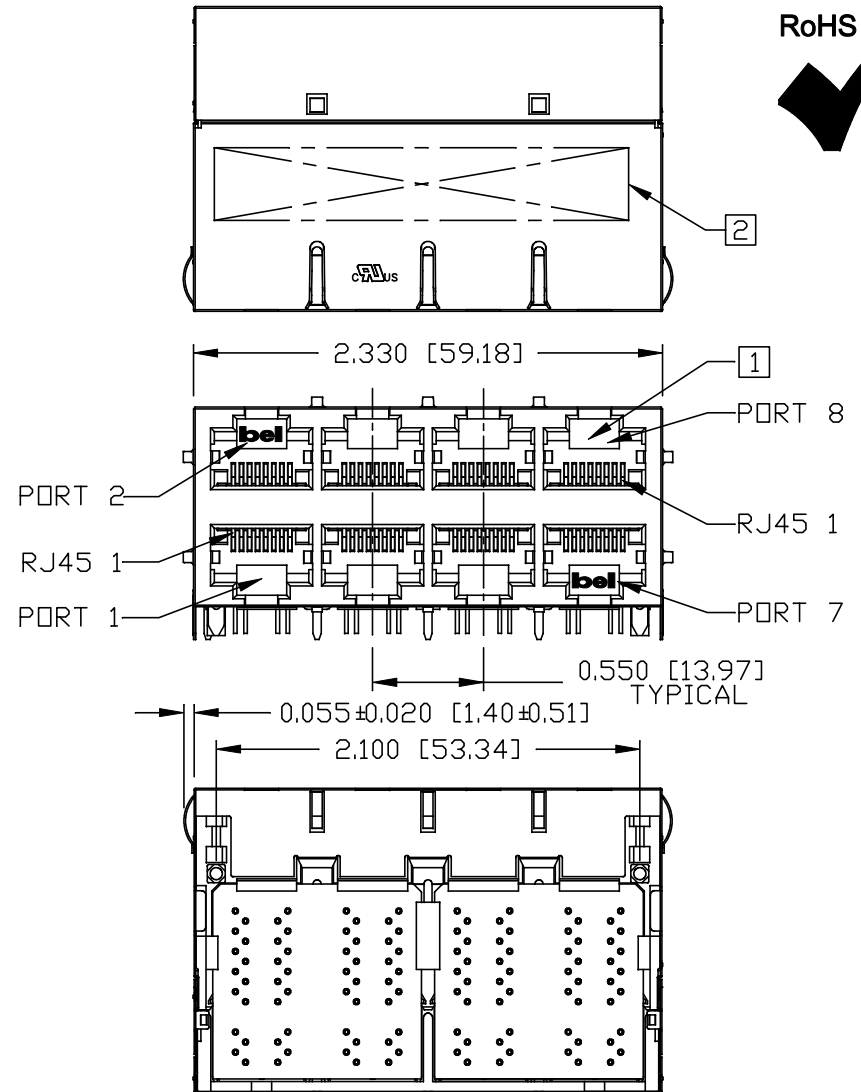


NOTES:

- PLASTIC HOUSING: THERMOPLASTIC PBT  
FLAMMABILITY RATING UL 94V-0
- CONTACT PLATING: 50 MICRO-INCH HARD GOLD PLATING OR EQUIVALENT.
- OUTPUT PINS: TIN-COATED COPPER WIRE, DIA 0.018 INCH.
- METAL SHIELD: NICKEL PLATED ON COPPER ALLOY.
- (ALL GROUND LEADS ARE SOLDER DIPPED)

- JACK CAVITY CONFORMS TO FCC RULES AND REGULATIONS, PART 68 SUBPART F.
- MARK PART WITH MFG LOGO, MFG NAME, PART NUMBER, DATE CODE AND PATENTED.
- THE PRODUCT IS RoHS COMPLIANCE.

c US UL RECOGNIZED - FILE #E196366 AND E169987.

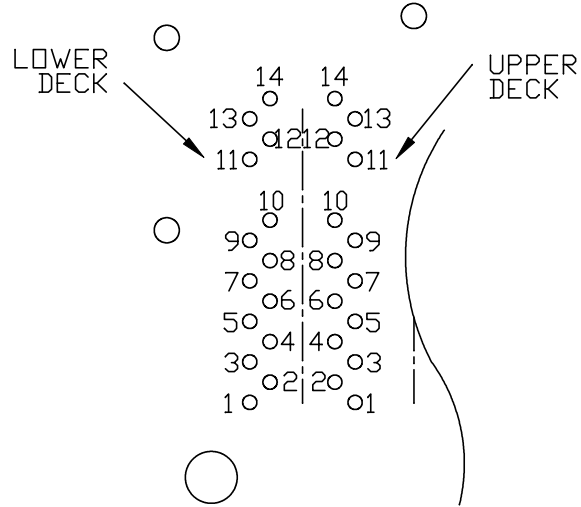


4. THE PRODUCT IS PATENTED. THE PATENT NUMBER ARE U.S. PAT. 6,840,817 AND U.S. PAT.7,123,117.

ORIGINATED BY ANTON LIAO		TITLE 2X4 2.5 Gigabit MagJack® 4PPoE		PART NO. / DRAWING NO. 08542X4RJD-F		STANDARD DIM. TOL. IN INCH		[ ] METRIC DIM. AS REF.		REV. : PA	PAGE : 3
DATE 2016-03-11		DRAWN BY LIU DONGJUN		FILE NAME 08542X4RJD-F_PA.DWG		UNIT : INCH [mm]		SCALE : N/A		 a bel group	
DATE 2016-03-11		0854-2X4R-JD-F PATENTED				.X		SIZE : A4			
						.XX					
						.XXX		±0.010			

THE INFORMATION CONTAINED HEREIN IS CONSIDERED "PROPRIETARY" TO BEL FUSE INC. AND SHALL NOT BE COPIED, REPRODUCED OR DISCLOSED WITHOUT THE WRITTEN APPROVAL OF BEL FUSE INC.

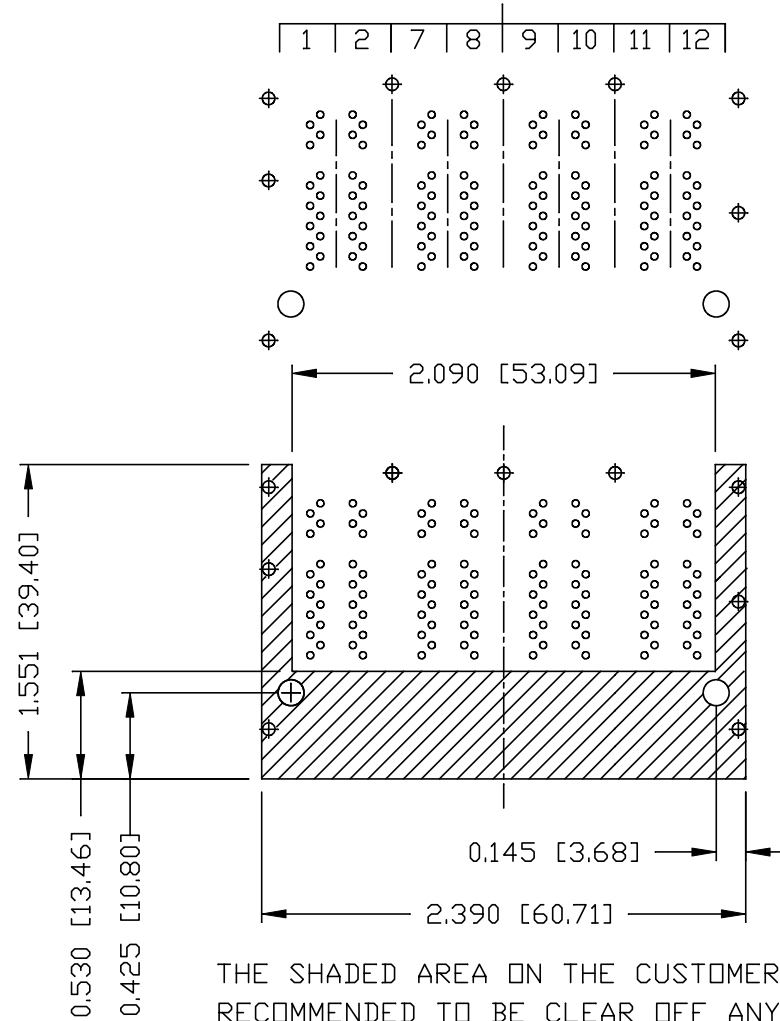
PRELIMINARY



PIN-OUT INFORMATION  
(COMPONENT SIDE VIEW)

14	VC36
13	VC78
12	VC45
11	VC12
10	GND
9	TRDCT1/2/3/4
8	TRD 4+
7	TRD 4-
6	TRD 3+
5	TRD 3-
4	TRD 2+
3	TRD 2-
2	TRD 1+
1	TRD 1-

PORT ASSIGNMENT  
(COMPONENT SIDE VIEW)



THE SHADED AREA ON THE CUSTOMER BOARD ARE RECOMMENDED TO BE CLEAR OFF ANY VIA HOLE OR COMPONENT PAD.

ORIGINATED BY  
ANTON LIAO  
DATE 2016-03-11  
DRAWN BY  
LIU DONGJUN  
DATE 2016-03-11

TITLE  
2X4 2.5 Gigabit MagJack®  
4PPoE  
0854-2X4R-JD-F  
PATENTED

PART NO. / DRAWING NO.  
08542X4RJD-F  
FILE NAME  
08542X4RJD-F\_PA.DWG

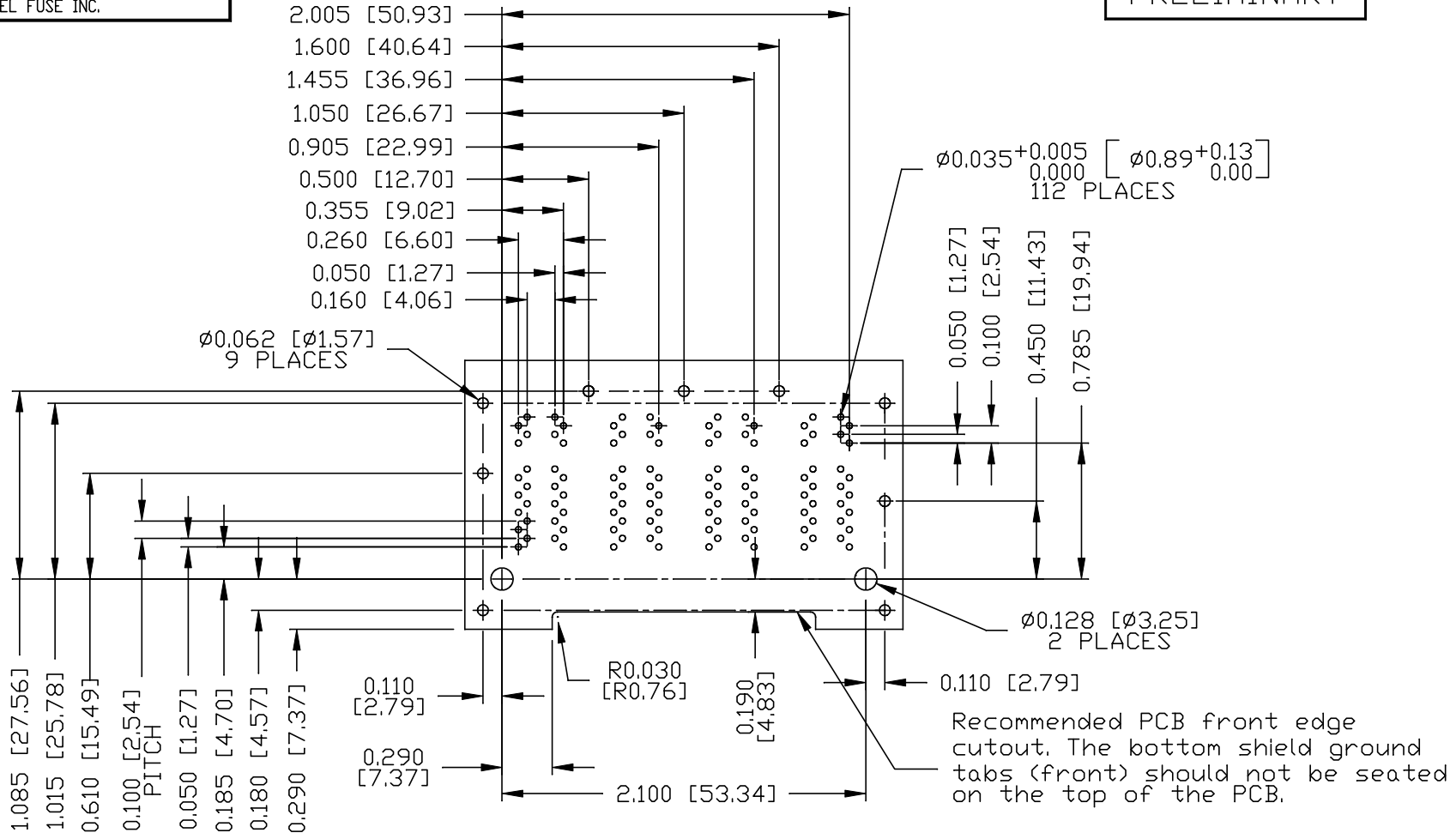
STANDARD DIM. TOL. IN INCH	[ ] METRIC DIM. AS REF.
.X	UNIT : INCH [mm]
.XX	SCALE : N/A
.XXX ±0.004	SIZE : A4

REV. : PA      PAGE : 4

a bel group

THE INFORMATION CONTAINED HEREIN IS CONSIDERED 'PROPRIETARY' TO BEL FUSE INC. AND SHALL NOT BE COPIED, REPRODUCED OR DISCLOSED WITHOUT THE WRITTEN APPROVAL OF BEL FUSE INC.

PRELIMINARY



SUGGESTED FOOTPRINT  
(COMPONENT SIDE VIEW)

ORIGINATED BY  
ANTON LIAO  
DATE 2016-03-11  
DRAWN BY  
LIU DONGJUN  
DATE 2016-03-11

TITLE  
2X4 2.5 Gigabit MagJack®  
4PPoE  
0854-2X4R-JD-F  
PATENTED

PART NO. / DRAWING NO.  
08542X4RJD-F  
FILE NAME  
08542X4RJD-F\_PA.DWG

STANDARD DIM. TOL. IN INCH	[ ] METRIC DIM. AS REF.
.X	UNIT : INCH [mm]
.XX	SCALE : N/A
.XXX	±0.004
	SIZE : A4

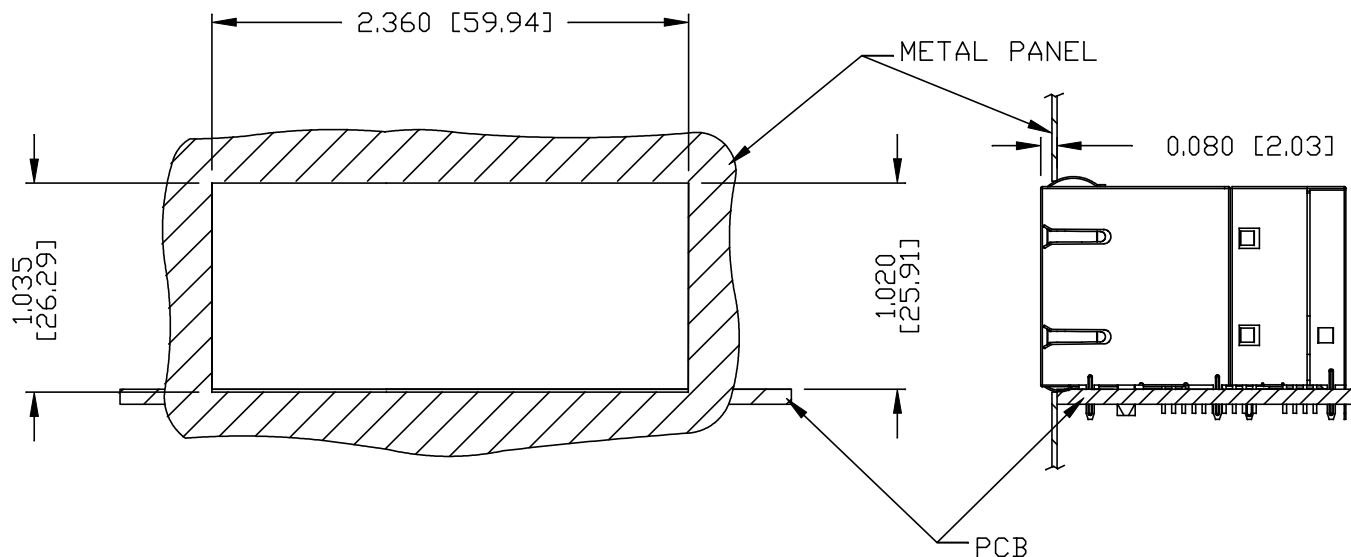
REV. : PA	PAGE : 5
a bel group	

THE INFORMATION CONTAINED HEREIN IS CONSIDERED "PROPRIETARY" TO BEL FUSE INC. AND SHALL NOT BE COPIED, REPRODUCED OR DISCLOSED WITHOUT THE WRITTEN APPROVAL OF BEL FUSE INC.

SUGGESTED PANEL OPENING

PRELIMINARY

RoHS



NOTE:

THE DISTANCE OF PANEL INSIDE SURFACE RELATIVE TO FRONT SURFACE OF PART IS ONLY A SUGGESTION. IN CASE THIS DISTANCE IS DIFFERENT, THE REQUIRED PANEL OPENING DIMENSIONS CHANGE ACCORDINGLY.

PACKING INFORMATION

PACKING TRAY : 0200-9999-G2 (TOP)


0200-9999-G3 (BOTTOM)

PACKING QUANTITY : 20 PCS FINISHED GOODS PER TRAY.

5 TRAYS (100 PCS FINISHED GOODS) PER CARTON BOX.

NOTE : CARDBOARDS ARE PLACED BETWEEN LAYERS OF PACKING TRAY INSIDE CARTON BOX.

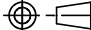
(INCLUDE THE UPPERMOST AND LOWERMOST TRAY)

REV. : PA	PAGE : 6
	
a bel group	

ORIGINATED BY ANTON LIAO
DATE 2016-03-11
DRAWN BY LIU DONGJUN
DATE 2016-03-11

TITLE 2X4 2.5 Gigabit MagJack® 4PPoE
0854-2X4R-JD-F PATENTED

PART NO. / DRAWING NO. 08542X4RJD-F
FILE NAME 08542X4RJD-F_PA.DWG

STANDARD DIM. TOL. IN INCH	[ ] METRIC DIM. AS REF.
.X	UNIT : INCH [mm]
.XX	SCALE : N/A
.XXX	±0.004
	
SIZE : A4	