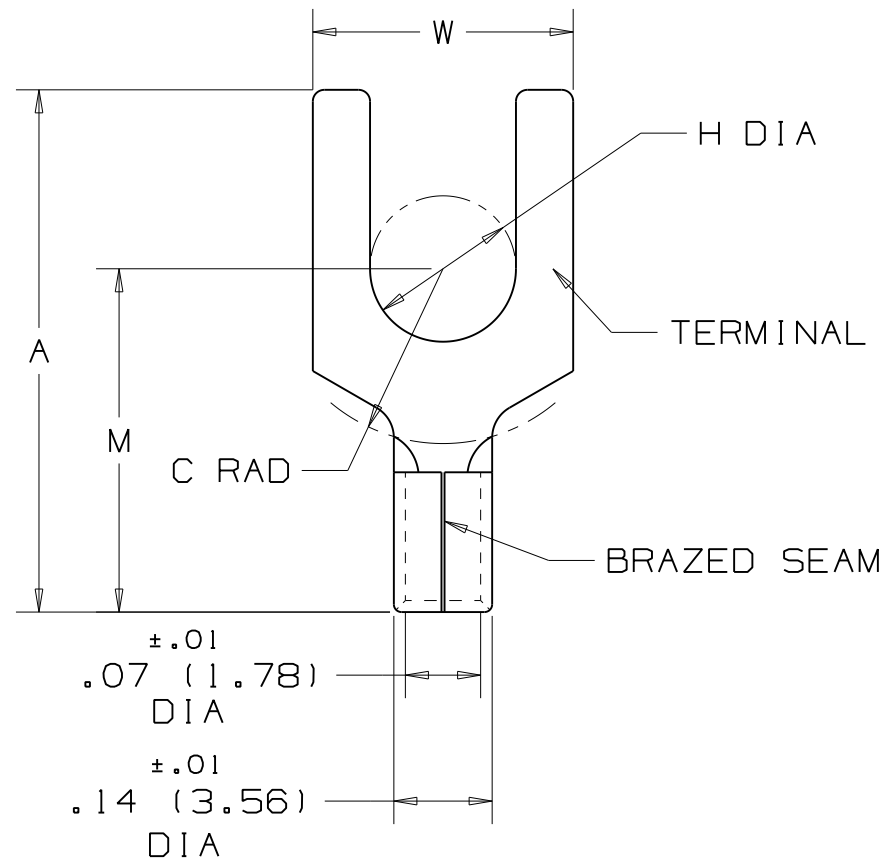


PANDUIT PART NUMBER	STUD SIZE	DIMENSIONS in.				
		A $\pm .03$	W $\pm .01$	C MIN	M $\pm .03$	H $\pm .01$
P18-6F	#6	.63 (16.00)	.30 (7.62)	.21 (5.33)	.49 (12.45)	.15 (3.81)
P18-6FN *	#6	.63 (16.00)	.24 (6.10)	.19 (4.83)	.49 (12.45)	.15 (3.81)
P18-8F	#8	.69 (17.53)	.32 (8.13)	.25 (6.35)	.53 (13.46)	.17 (4.32)
P18-10F	#10	.71 (18.03)	.35 (8.89)	.25 (6.35)	.55 (13.97)	.20 (5.08)
P18-10FN *	#10	.71 (18.03)	.31 (7.87)	.25 (6.35)	.55 (13.97)	.20 (5.08)
P18-14F	1/4"	.88 (22.35)	.44 (11.18)	.33 (8.38)	.63 (16.00)	.27 (6.86)



NOTES:

- UL LISTED AND CSA CERTIFIED FOR:
A. #22-16 AWG SOLID OR STRANDED COPPER WIRE
- MATERIAL:
A. STAMPING - .03" (.76) THK COPPER, TIN PLATED
- 302°F (150°C) MAX USE TEMP
- SEE www.panduit.com FOR PART NUMBER SUFFIX DESIGNATION FOR PACKAGE SIZE.
- DIMENSIONS IN BRACKETS ARE IN MILLIMETERS
- INSTALLATION TOOLS:
A. UL LISTED AND CSA CERTIFIED: CT-100, CT-100A, CT-200, CT-570, CT-600-A, CT-1570, CT-2500
B. PANDUIT APPROVED: CT-160, CT-260
- WIRE STRIP LENGTH: 9/32 ^{+1/32}₀ (7.1 ⁺⁸₀)
- (*) THESE PARTS NOT UL LISTED OR CSA CERTIFIED



LISTED
587H
E52164



CERTIFIED
LR31212

06	5/11	SHOR	MODIFIED NOTE #4, ADDED INSTALLATION TOOLS				TINLEY PARK, ILLINOIS		
05		JKD	ADDED CT-1570 TOOL						
04	1/97	TM	ADDED NARROW TONGUE FORKS AND 1/4" STUD FILESPEC WAS N41461AA_PCD_03	LCA	KRS	#22-18 BARREL NON-INSULATED FORK			
03	7/95	MC	UPDATED NOTES AND DIMENSIONS	TJP	KRS				
REV	DATE	BY	DESCRIPTION	APP	PM			DRAWN BY DRL	CHK'D