

10078995-G0X-XXYLF

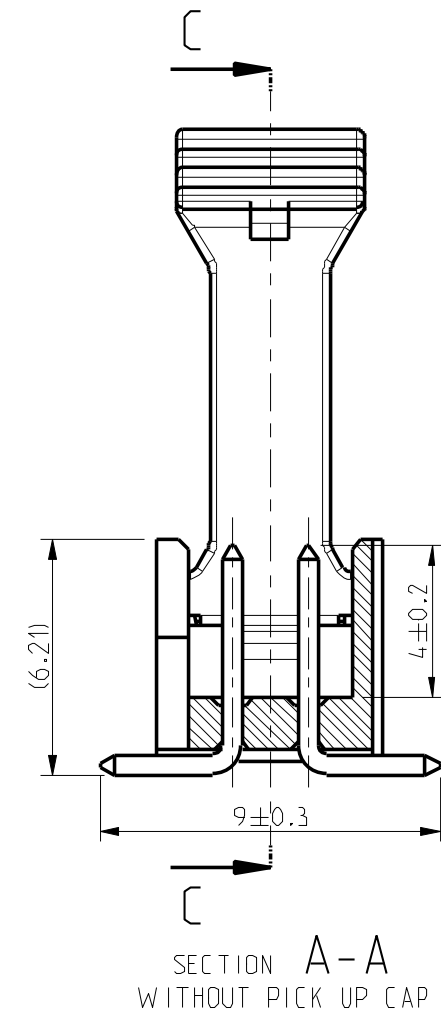
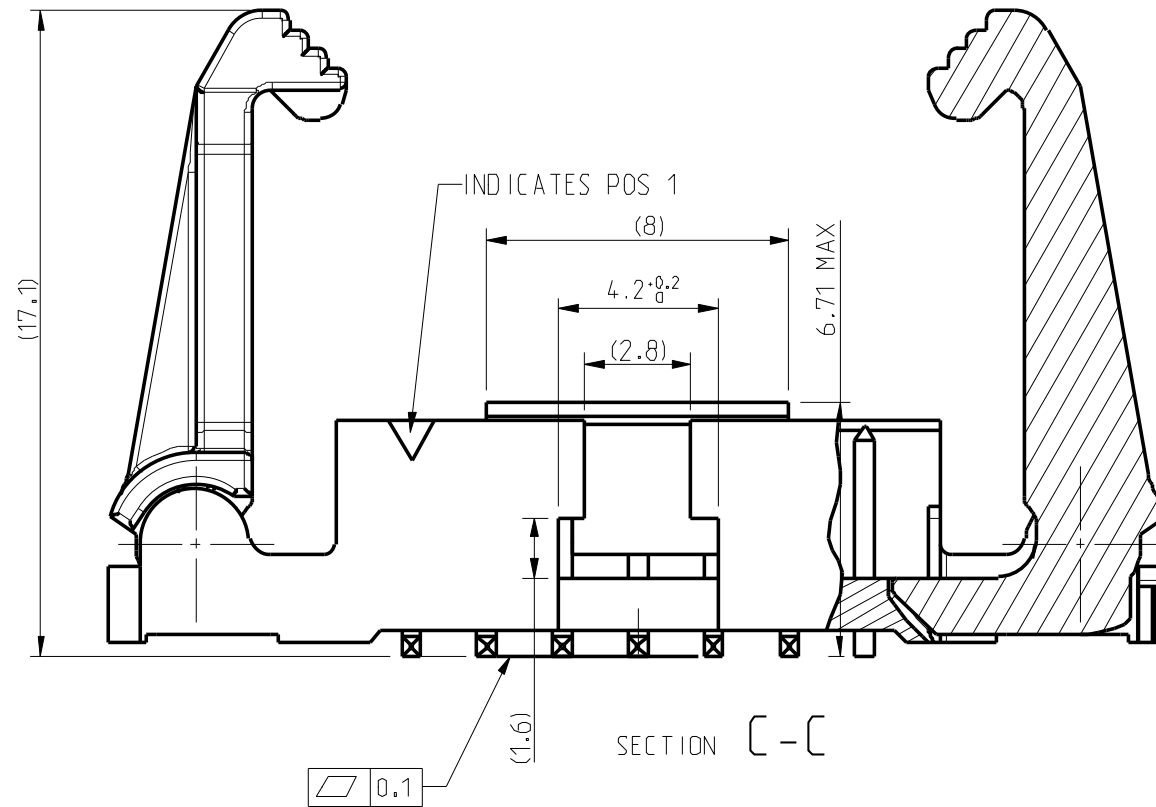
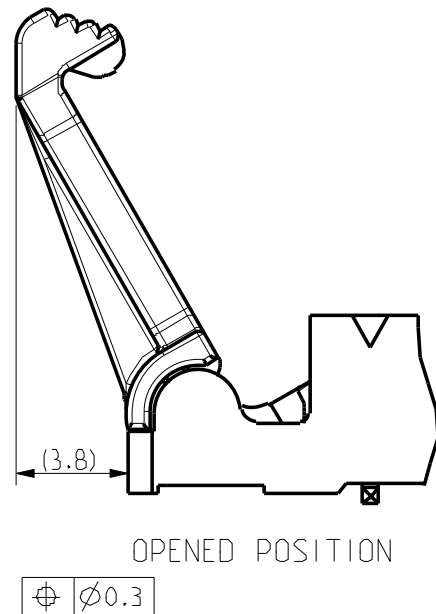
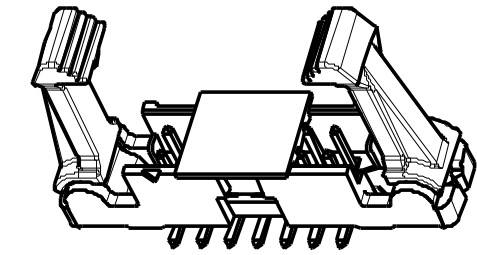
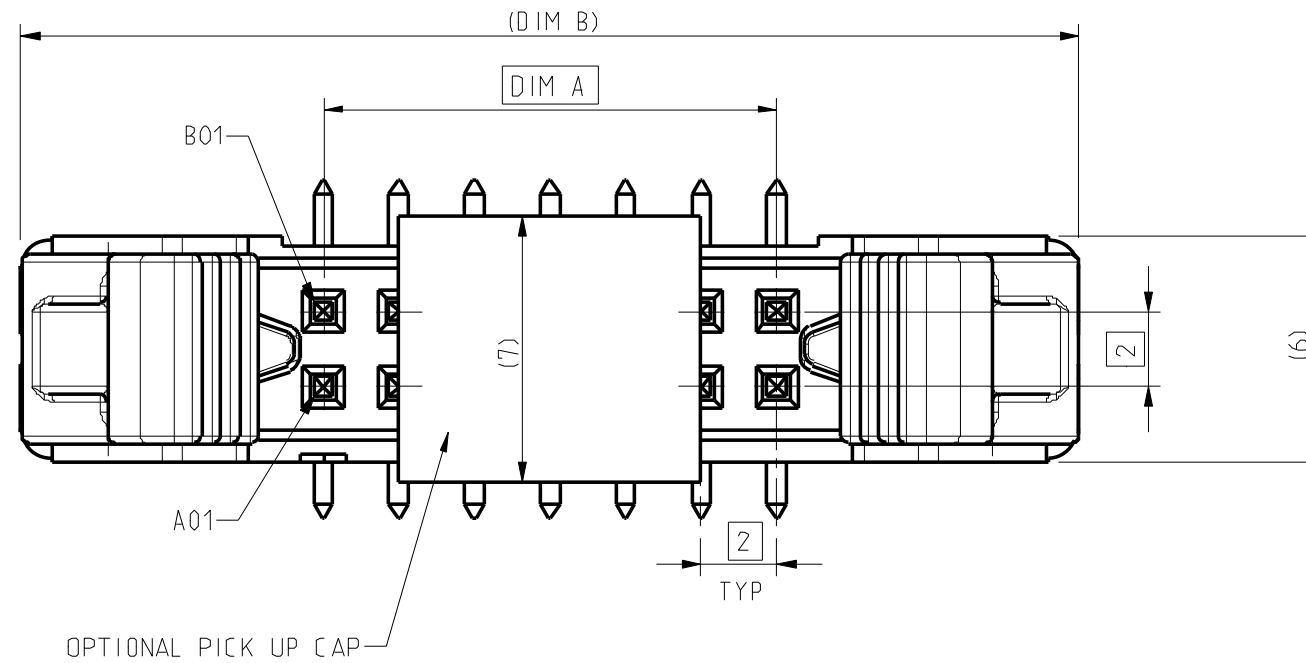
PLATING
 0.76 μm GXT
 (Pd Ni WITH GOLD FLASH ON CONTACT AREA)
 1.27 μm Ni MIN UNDERPLATE

LATCH TYPE :
 1 = STANDARD : For use with STRAIN-RELIEF 10073978
 2 = LOW PROFILE : For use without STRAIN-RELIEF

SIZE : TOTAL NB OF POSITIONS
 SEE SHEET 2

PACKAGING, SEE NOTE 4

RoHS COMPATIBLE, SEE NOTE 5.



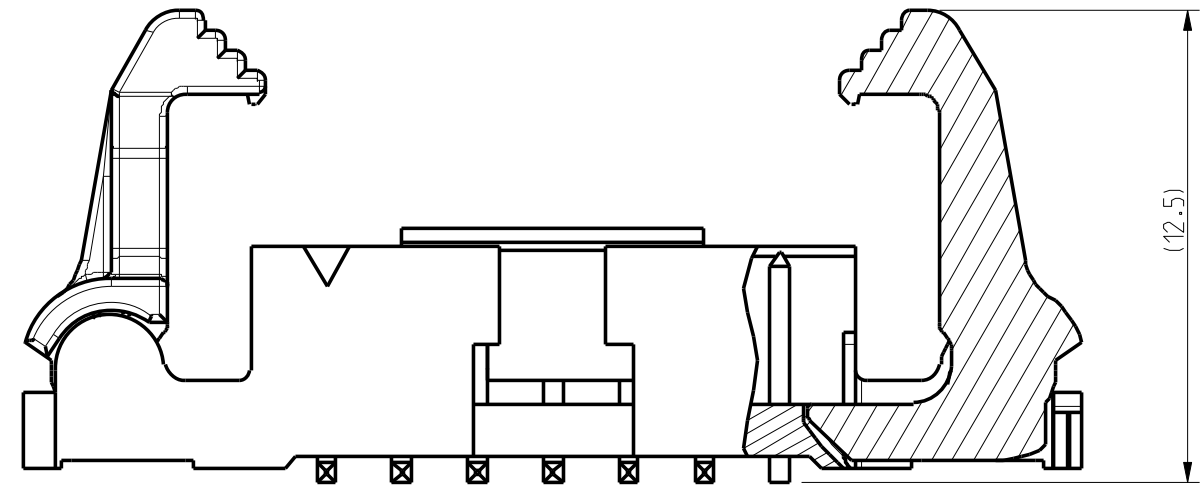
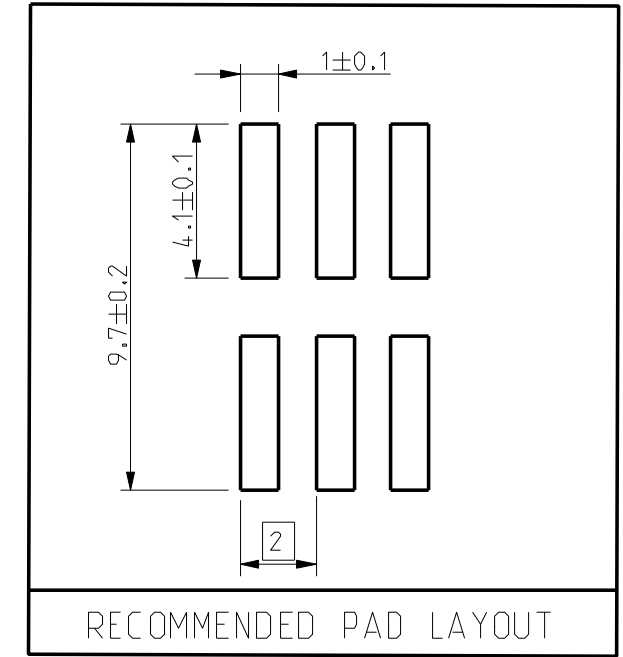
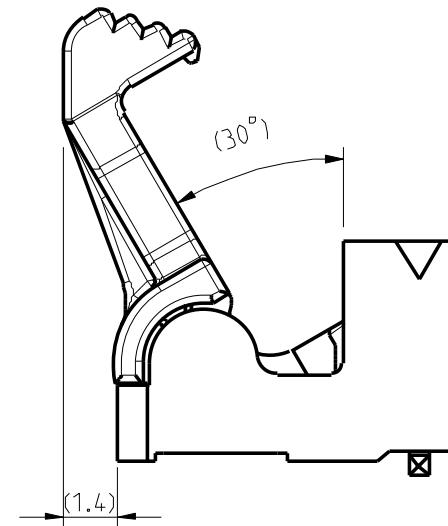
- NOTES :
- 1- MATERIAL HOUSING : HIGH TEMPERATURE THERMOPLASTIC UL 94 V0, COLOR CREAM.
 - MATERIAL LATCH: HIGH TEMPERATURE THERMOPLASTIC UL 94 V0, COLOR BLACK.
 - 2- MATERIAL TERMINAL : COPPER ALLOY
 - 3- PIN RETENTION IN EITHER DIRECTION : 7N MIN
 - 4- PACKAGING
 U= TUBE WITHOUT PICK UP CAP .
 A= TAPE & REEL WITH PICK UP CAP.
 - 5- ROHS COMPATIBLE PRODUCT SPECIFICATIONS :
 a- PLATING :
 LF MEANS THE PRODUCT IS LEAD FREE
 2 μm MATTE TIN MIN ON TAIL OVER 1.27 μm NICKEL UNDERPLATE.
 - b- MANUFACTURING PROCESS COMPATIBILITY
 THE HOUSING WILL WITHSTAND EXPOSURE TO 260 °C PEAK TEMPERATURE FOR 30 SECONDS MAX IN A CONVECTION, INFRA RED, VAPOR PHASE OR REFLOW OVEN.
 - c- LABELLING
 MEETS PACKAGING SPECS AS PER GS-14-920.
 - d- THIS PRODUCT MEETS EUROPEAN DIRECTIVES AND OTHER CONTRY REGULATION AS DESCRIBED IN GS-47-0004

rev	ecn no	dr	date
A	F08-0110	LSA	08-01-16
B	B-19190	LMU	14-11-07
-	-	-	-
-	-	-	-
-	-	-	-
-	-	-	-

www.fciconnect.com		surface ISO 1302	-	tolerance std ISO 406	ISO 1101	projection mm	mm
		TOLERANCES UNLESS OTHERWISE SPECIFIED				↔	
Dr	NEBU PM	07-06-19	ANGULAR	0.X	±/	size	Scale
Eng	JM COMPAGNON	07-06-19	0° ±/°	0.XX	±/	A3	1:1
Chr	JM COMPAGNON	07-06-19	Product family	0.XXX	±/	ECN	B-19190
Appr	L. SAILLARD	07-06-19				Spec ref	-
FCI FILE EJECT LATCH HEADER		dwg no		10078995		Rev. B	
VERTICAL SMT		CUSTOMER		sheet 1 of 2			
catalog no							

Copyright FCI

SIZE	POSITIONS	DIM A	DIM B
06	2x3	4.00	20.00
08	2x4	6.00	22.00
10	2x5	8.00	24.00
12	2x6	10.00	26.00
14	2x7	12.00	28.00
24	2x12	22.00	38.00
30	2x15	28.00	44.00
40	2x20	38.00	54.00
44	2x22	42.00	58.00
50	2x25	48.00	64.00

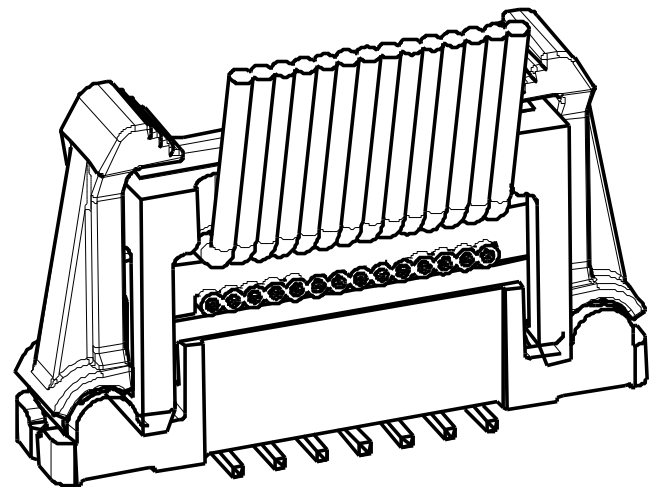


SECTION C-C

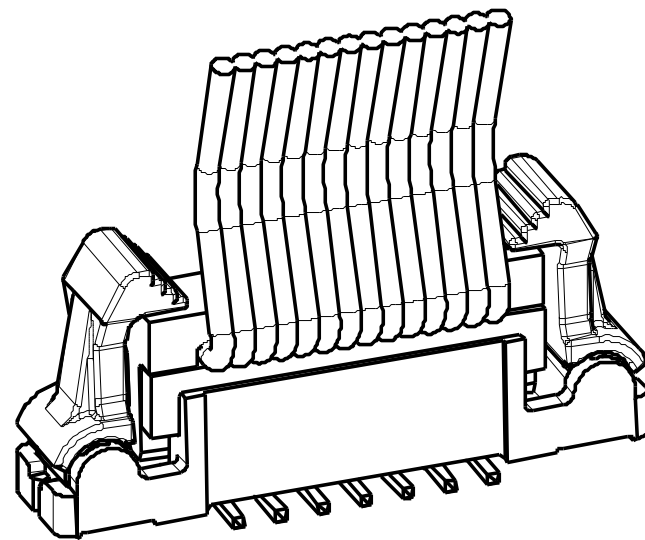
EXAMPLE 10078995-G02-14YLF
LOW PROFILE LATCH

PRODUCT USED IN COMBINATION WITH IDC
RECEPTACLE P/Ns 89361 & 89941

WITH STRAIN-RELIEF ACCESSORY
- STANDARD LATCH -



WITHOUT STRAIN-RELIEF ACCESSORY
- LOW PROFILE LATCH -



www.fciconnect.com		surface ISO 1302	- ✓	tolerance std ISO 406 ISO 1101	projection mm	mm
TOLERANCES UNLESS OTHERWISE SPECIFIED				size A3	Scale 3:1	
Dr	NEBU PM	07-06-19	ANGULAR	0.X	±/	
Eng	JM COMPAGNON	07-06-19	LINEAR	0.XX	±/	
Chr	JM COMPAGNON	07-06-19	0° ±/°	0.XXX	±/	ECN B-19190
Appr	L. SAILLARD	07-06-19	Product family	-	Spec ref	-
FCj FILE EJECT LATCH HEADER		dwg no 10078995		Rev. B		
catalog no -		CUSTOMER		sheet 2 of 2		