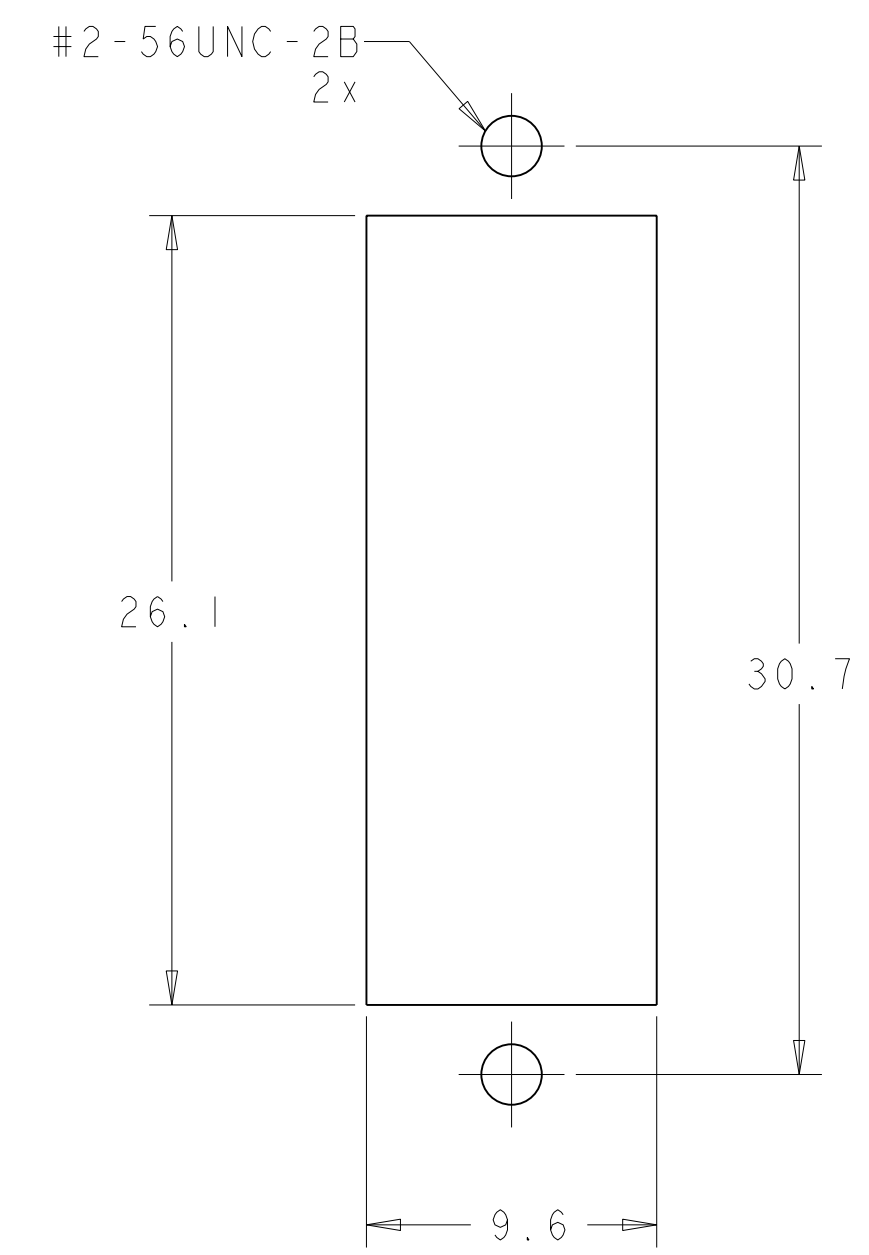
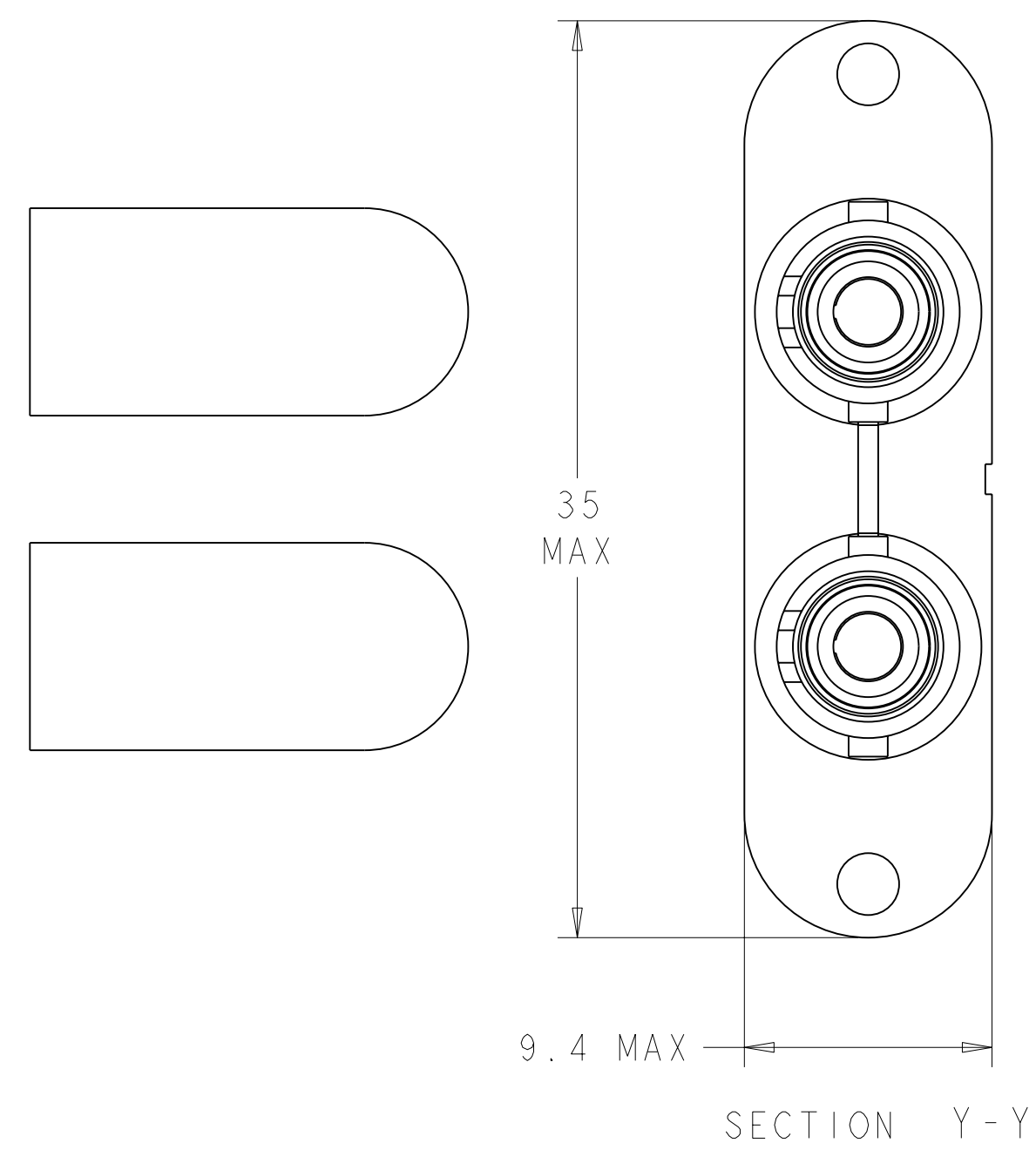
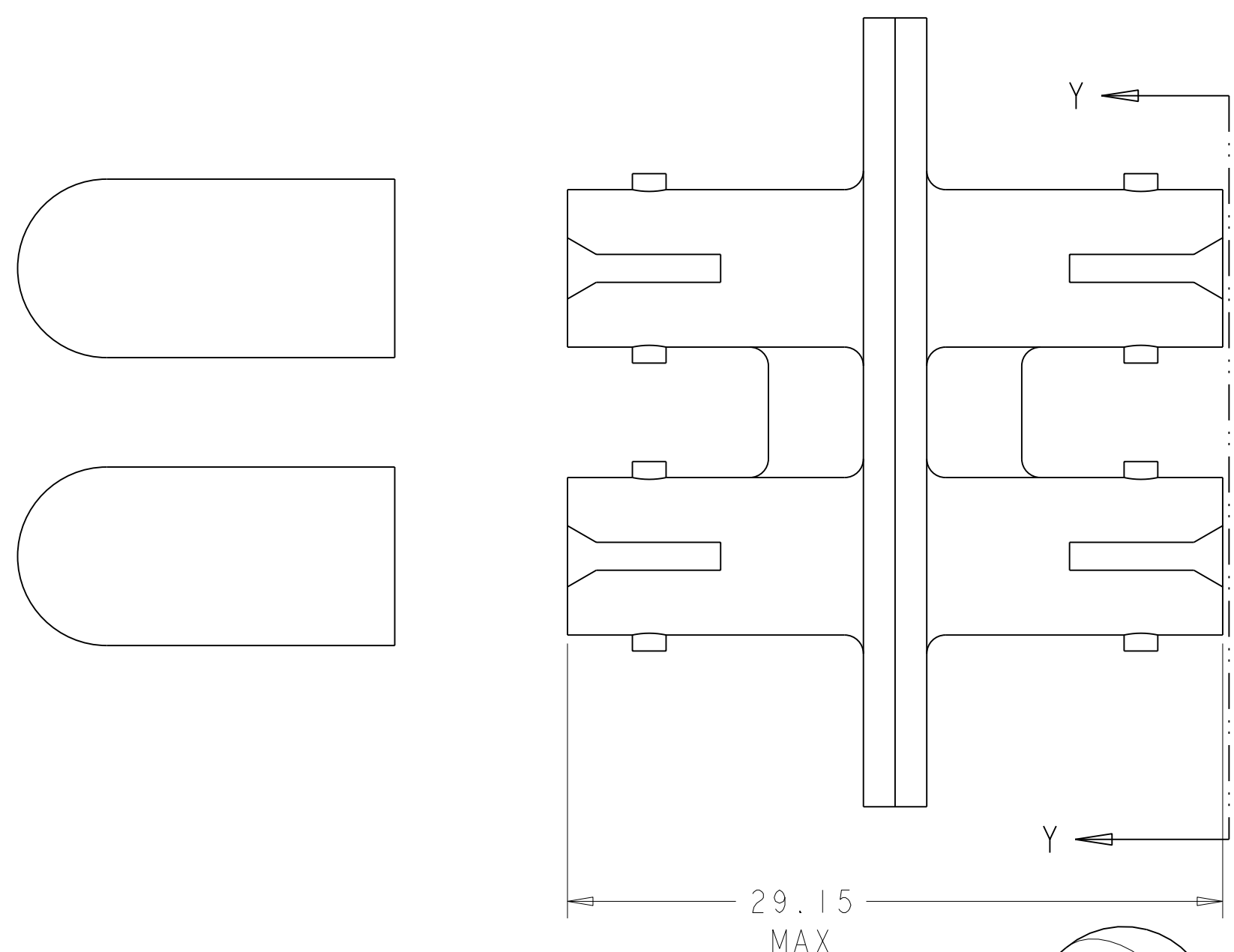


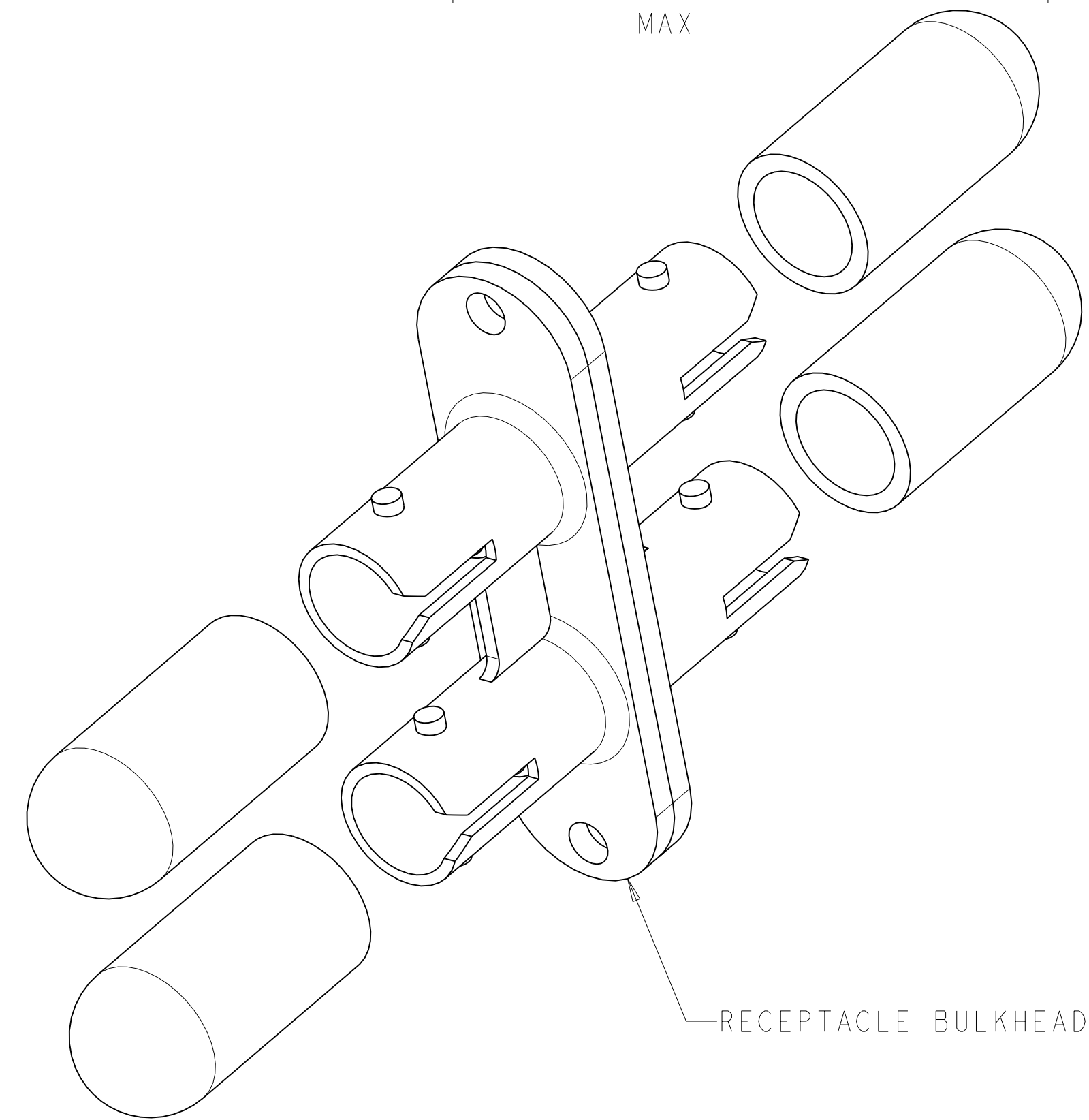
THIS DRAWING IS UNPUBLISHED. RELEASED FOR PUBLICATION 20
 © COPYRIGHT 20 BY TYCO ELECTRONICS CORPORATION. ALL RIGHTS RESERVED.

LOC		DIST		REVISIONS			
P	LTR	DESCRIPTION	DATE	DWN	APVD		
CE	00	C	REVISE PER ECR-05-013728	31OCT2005	BB	SB	



SUGGESTED PANEL CUTOUT
 MAXIMUM PANEL THICKNESS 1.7

⚠ MATERIAL:
 PROTECTIVE CAP: VINYL
 COUPLING RECEPTACLE:
 HOUSING: PPE AND PS, UL94 V-0 RATED AT QUALIFYING THICKNESS,
 SEE DASH NUMBER FOR COLOR.
 SLEEVE: SEE DASH NUMBER



RECEPTACLE BULKHEAD

COLOR	ALIGNMENT SLEEVE MAT'L	MATERIAL
BLUE	CERAMIC	503273-5
BLACK	CERAMIC	503273-4
BEIGE	METAL	503273-3
BLACK	METAL	503273-1

<small>THIS DRAWING IS A CONTROLLED DOCUMENT FOR TYCO ELECTRONICS CORPORATION. IT IS SUBJECT TO CHANGE AND THE CONTROLLING ENGINEERING ORGANIZATION SHOULD BE CONTACTED FOR THE LATEST REVISION.</small>		DWN B. BRIGGS 31OCT2005 CHK S. BUCHTER 31OCT2005 APVD S. BUCHTER 31OCT2005	tyco Tyco Electronics Electronics Harrisburg, PA 17105-3608
DIMENSIONS: mm	TOLERANCES UNLESS OTHERWISE SPECIFIED: 0 PLC ± 1 PLC ±0.1 2 PLC ± 3 PLC ± 4 PLC ± ANGLES ± FINISH	PRODUCT SPEC APPLICATION SPEC WEIGHT	NAME DUPLX RECEPTACLE KIT, BULKHEAD, AMP ST-ST
MATERIAL			SIZE A2 CAGE CODE 00779 DRAWING NO C=503273 RESTRICTED TO CUSTOMER DRAWING SCALE 4:1 SHEET 1 OF 1 REV C