

4

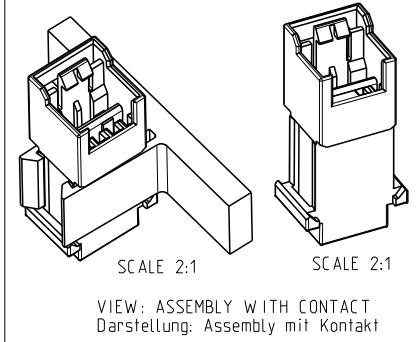
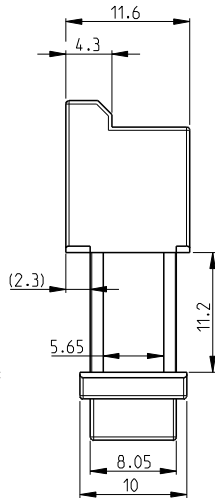
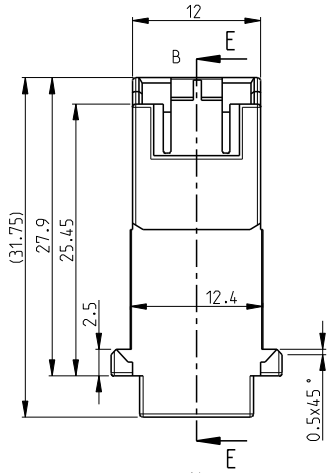
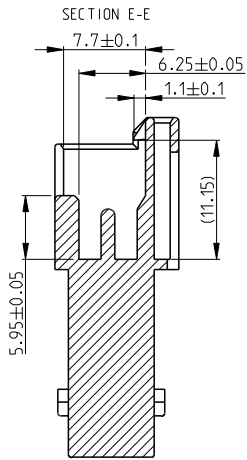
3

2

1

THIS DRAWING IS UNPUBLISHED. RELEASED FOR PUBLICATION 2003
© COPYRIGHT 2003 BY TYCO ELECTRONICS CORPORATION. ALL RIGHTS RESERVED.

LOC	DIST	REVISIONS					
		P	LYR	DESCRIPTION	DATE	DWN	APVD
A1	-	B7	ECR-17-005224		11APR2017	W W	RR



- NOTE
- 1 CAVITY DESIGNED FOR TAB CONTACT NO. 284798-1 0.5 mm² - 0.75 mm² (20 - 18 AWG) OR 293322-1 FOR WIRE RANGE 0.3 - 0.8 mm² (22 - 18 AWG) OR 195544-1-1 FOR WIRE RANGE 0.2 - 0.5 mm² (24 - 20 AWG).
 - 2 RECOMMENDED MATING CONNECTOR FAMILIES INCLUDE DUO-PLUG MK II AND DUO-PLUG POWER SEE TAMBLE FOR RIB REMOVAL FOR MATING CONNECTOR
 - 3 IEC 60695-2-11 / IEC 60335-1 GLOWWIRE TEST 750 °C WITHOUT FLAME
 - 4 KEYING PATTERN: SEE TABLE
 - 5 PRELIMINARY PART - NOT YET RELEASED FOR PRODUCTION

D

D

C

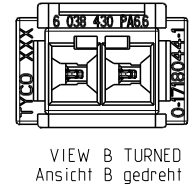
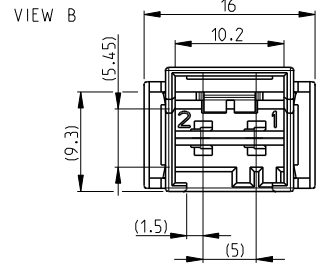
C

B

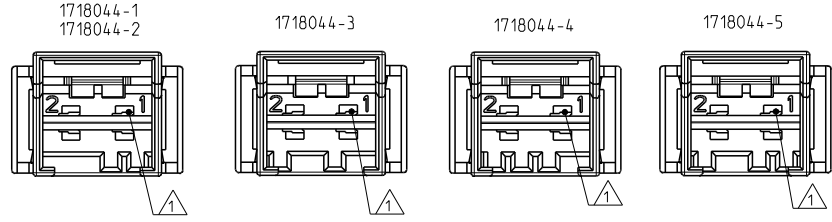
B

A

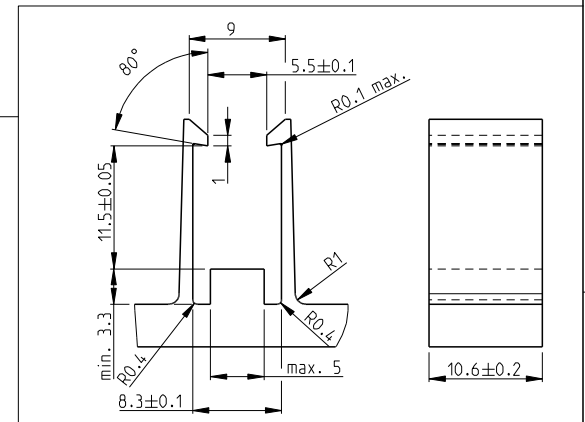
A



Keying Scheme



		NATURE, SIMILAR RAL 9010 Natur, ähnlich RAL 9010	PA 6 UL94 V-2		0-1718044-5
c	a, b, d	NATURE, SIMILAR RAL 9010 Natur, ähnlich RAL 9010	PA 6 UL94 V-2		0-1718044-4
a	b, c, d	NATURE, SIMILAR RAL 9010 Natur, ähnlich RAL 9010	PA 6 UL94 V-2		0-1718044-3
a, c	b, d	NATURE, SIMILAR RAL 9010 Natur, ähnlich RAL 9010	PA 6 UL94 V-2		0-1718044-2
c, d	a, b	NATURE, SIMILAR RAL 9010 Natur, ähnlich RAL 9010	PA 6 UL94 V-2		0-1718044-1
c, d	a, b	NATURE Natur	PA 6.6 UL94 V-2		0-1718044-1
MATING CONNECTOR	KEYING	COLOUR/Farbe	MATERIAL	PN/Bestell-Nr.	SEE TABLE



THE LOCKING HOOK PART IS NOT INCLUDED. INFORMATION FOR REFERENCE ONLY. Die Rasthaken sind nicht Auftragsbestandteil. Die Angaben dienen lediglich als Beispiel.

DIMENSIONS:		TOLERANCES UNLESS OTHERWISE SPECIFIED:		DWN		Tyco Electronics	
mm		0 PLC	±	GERLACH	29SEP2003	Tyco Electronics AMP GmbH	
		1 PLC	±0.1	CKL	29SEP2003	D - 64625 Bensheim	
		2 PLC	±0.05	SCHNAUBEL	29SEP2003	NAME	
		3 PLC	±	KLENNER	29SEP2003	2 POSN. TABHEADER HOUSING FOR DUOPLUG CONNECTOR	
		4 PLC	±	PRODUCT SPEC		SIZE	
		5 PLC	±	APPLICATION SPEC		CAGE CODE	
		6 PLC	±	WEIGHT		DRAWING NO	
		ANGLES	±	CUSTOMER DRAWING		RESTRICTED TO	
		FINISH	*			A2 00779 ©=1718044	
						SCALE 3:1 SHEET 1 OF 1 REV B7	