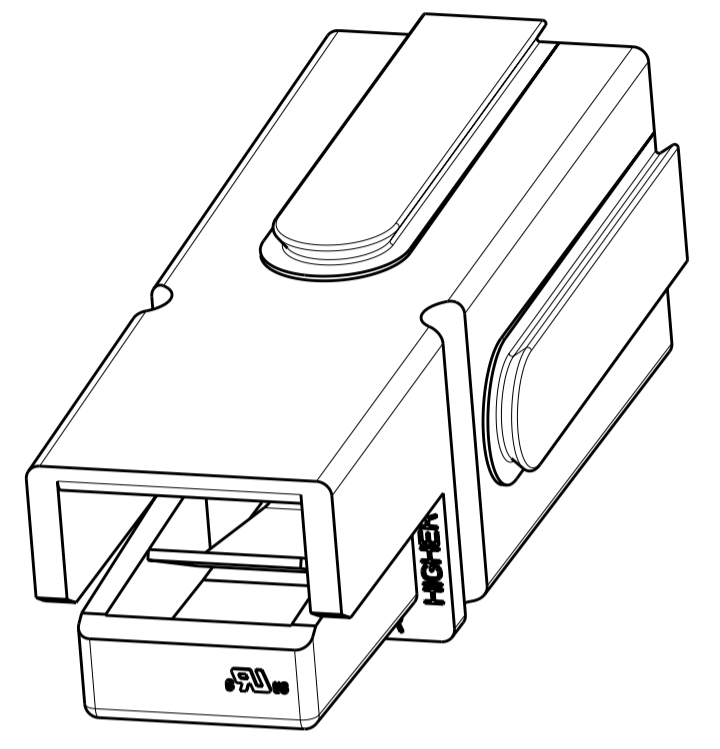
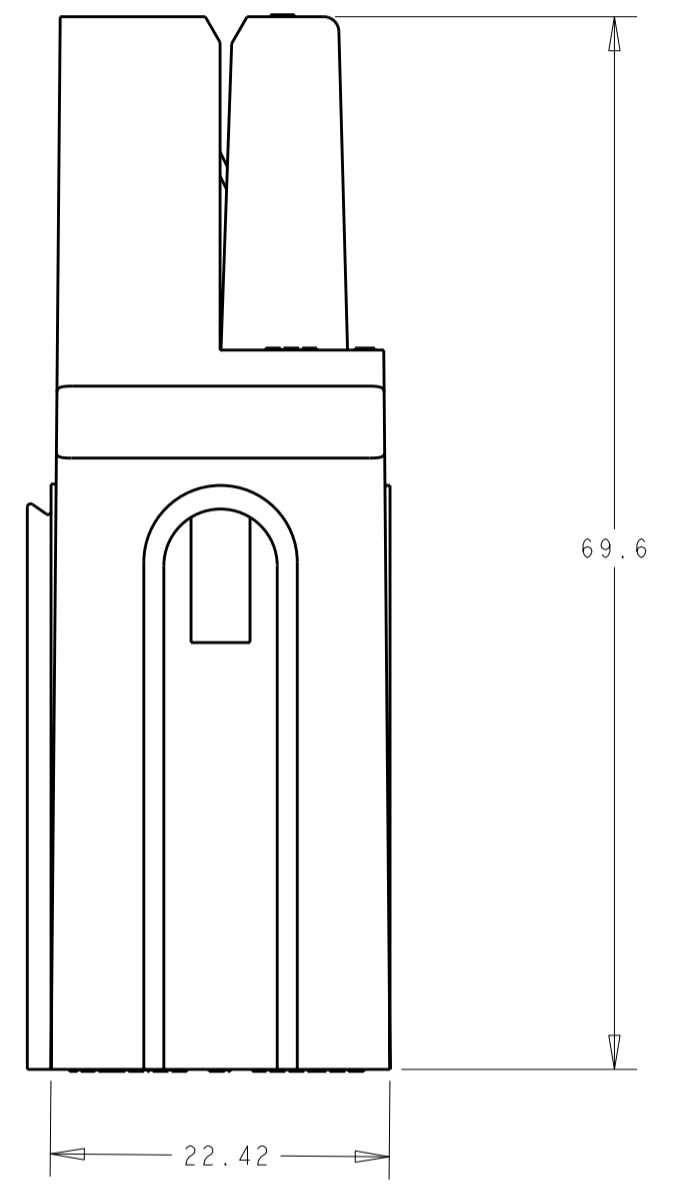
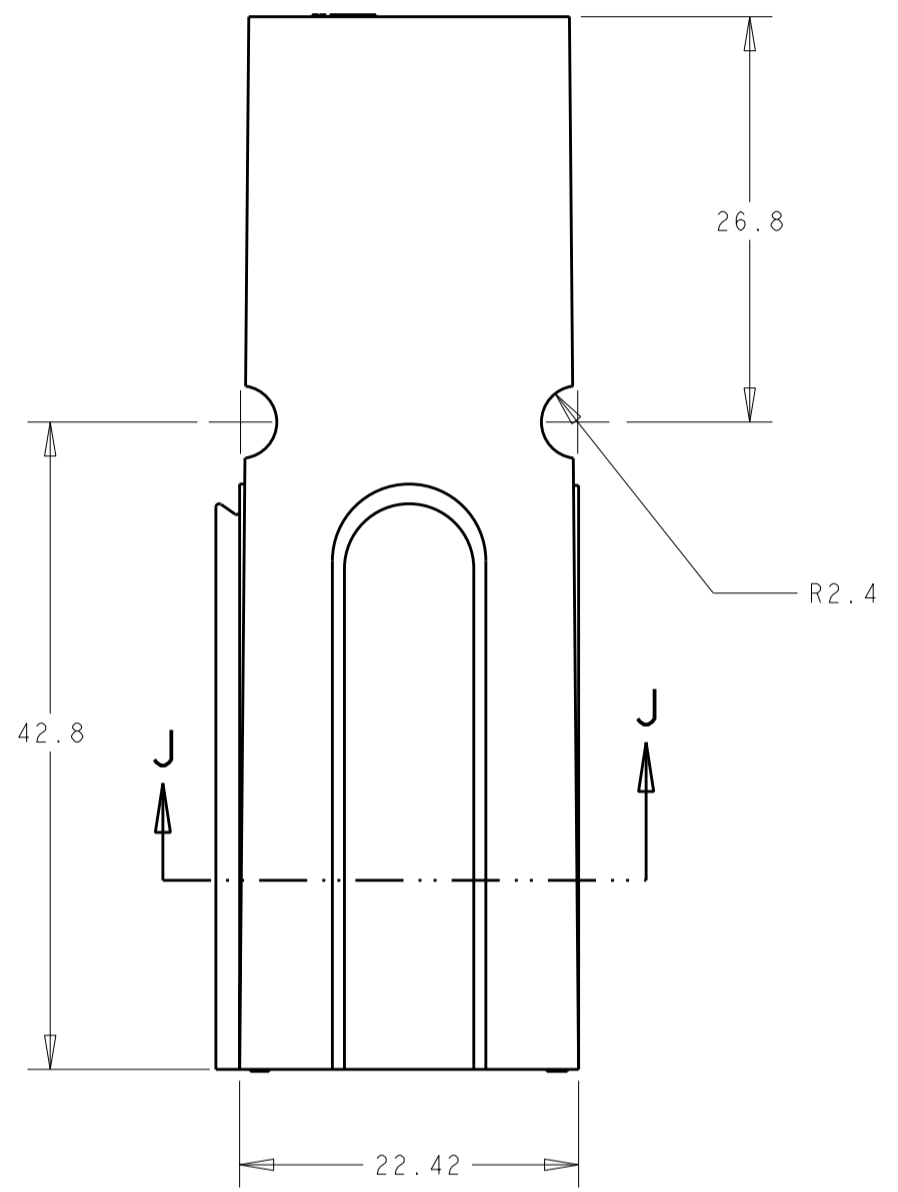
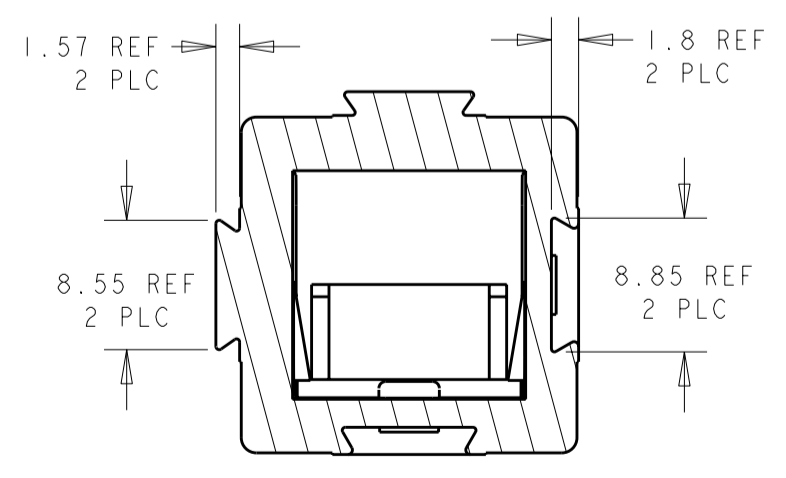


THIS DRAWING IS UNPUBLISHED. RELEASED FOR PUBLICATION 20
 © COPYRIGHT 20 BY - ALL RIGHTS RESERVED.

LOC		DIST		REVISIONS			
P	LTR	DESCRIPTION	DATE	DWN	APVD		
CM	00	B2	REVISED PER ECO-11-004917	12MAR2011	RK	HMR	



1. THIS PRODUCT HAS PASSED VERIFICATION AND AGENCY APPROVALS TESTING AND IS COMPONENT RECOGNIZED PER UL 1977 AND CSA 22.2. TE CONNECTIVITY PRODUCT QUALIFICATION TESTING IS NOT YET COMPLETED.



SECTION J - J

RED	1604001-5
GREEN	1604001-4
WHITE	1604001-3
BLACK	1604001-2
BLUE	1604001-1
COLOR	PART NUMBER



THIS DRAWING IS A CONTROLLED DOCUMENT.		DWN	BH	28NOV01	TE Connectivity SUB-ASSEMBLY, AMP POWER SERIES 120			
DIMENSIONS:		CHK	KAK	28NOV01				
mm		APVD	KAK	28NOV01				
		PRODUCT SPEC						
TOLERANCES UNLESS OTHERWISE SPECIFIED:		APPLICATION SPEC			SIZE	CAGE CODE	DRAWING NO	RESTRICTED TO
0 PLC	±0.13	WEIGHT		-	A2	00779	C-1604001	-
1 PLC	±0.13	CUSTOMER DRAWING			SCALE	2:1	SHEET	OF
2 PLC	±0.13							REV
3 PLC	±0.13							B2
4 PLC	±							
ANGLES	±							
FINISH								