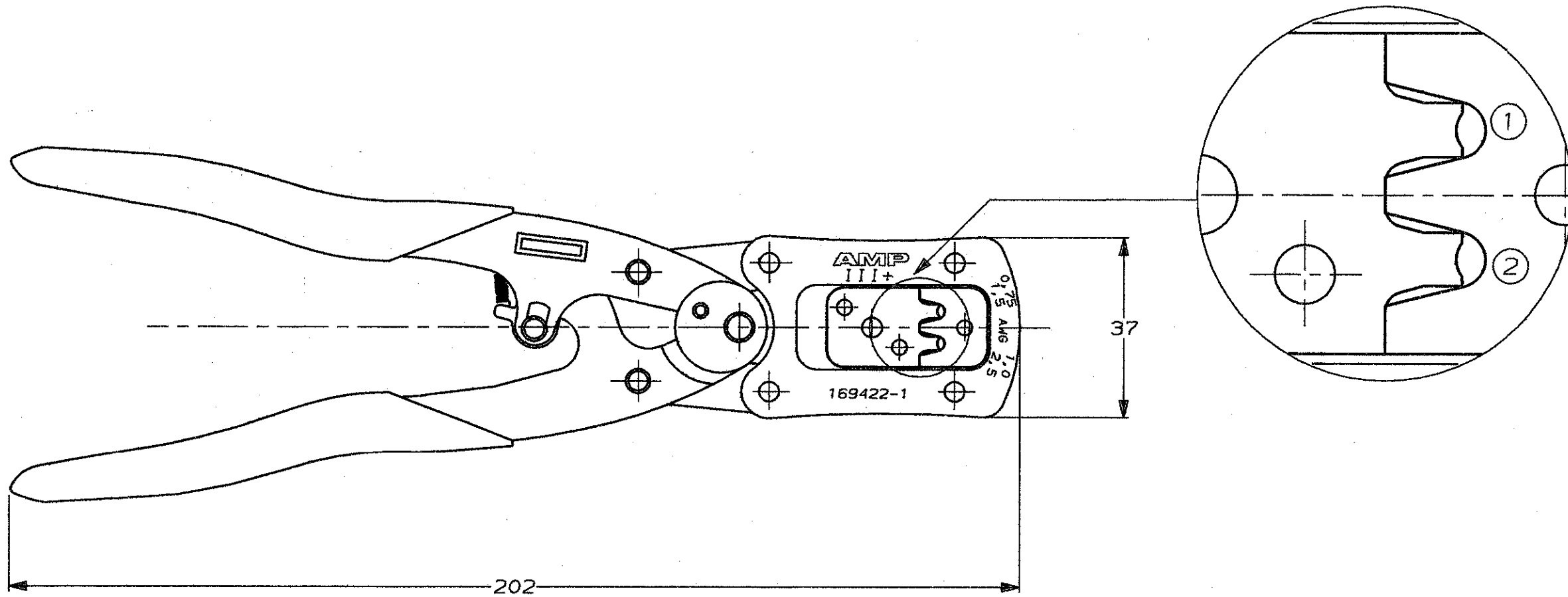
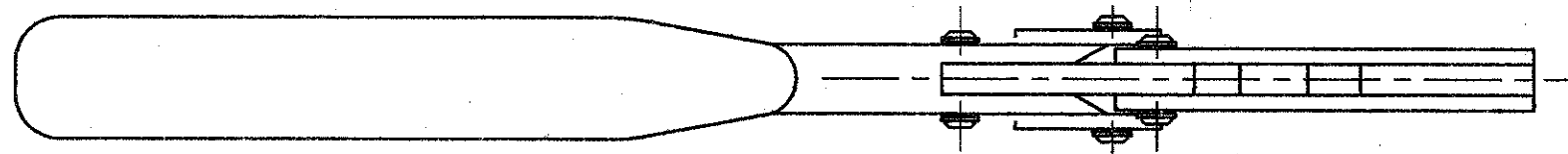
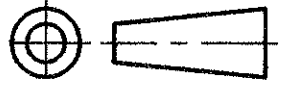


DO NOT SCALE

DIMENSIONS IN mm

METRIC

THIRD ANGLE
PROJECTION



| PROF | WIRE RANGE | INS. RANGE | TERMINAL |
|------|------------|------------|-------------|
| 1 | 0,75-1,5 | 2,0-2,5 | SEE CATALOG |
| 2 | 1,0-2,5 | 2,5-3,8 | SEE CATALOG |

| | | | | | | | |
|---|-----------------|---|---|--|--|-------------------------------|--|
| | | FINISH | | MATERIAL | | 169422-1 | |
| | | | | | | PARTNUMBER | |
| CUSTOMER DRAWING | | AMP | | AMP-HOLLAND B.V. 's-Hertogenbosch, The Netherlands. | | | |
| | | | | THIS DRAWING IS UNPUBLISHED RELEASED FOR PUBLICATION , 19 | | | |
| FOR REFERENCE ONLY WILL NOT BE UPDATED | | © COPYRIGHT 19- BY AMP-HOLLAND B.V. ALL INTERNATIONAL RIGHTS RESERVED. AMP PRODUCTS MAY BE COVERED BY U.S. AND FOREIGN PATENTS AND/OR PATENTS PENDING. | | | | | |
| DR. P. BEIJNON | DATE 23-2-89 | WIRE RANGE - | NAME HANDTOOL FOR M. SERIES TYPE III + CONTACTS | | | REV. DATE D M Y 23 2 89 | |
| CHK. R. VOS | DATE - | INSUL. RANGE - | | | | | |
| APP. L. V. SOEST | DATE - | SIZE A3 | SHEET 1 OF - | DWG. No. C-169422 | | REV. LTR. 0 | |

8 | 7 | 6 | 5 | 4 | 3 | 2 | 1