

3615KL (92[□] x 38^L)



EMINEBEA.COM

General Specifications

Motor Protection:

Auto Restart/Polarity Protection

Insulation Resistance: 10M Ω or over with a DC500V Megger

Dielectric Withstand Voltage: AC 700V 1s

Allowable Ambient Temperature Range:

B50 Class: -10°C ~ +60°C (Operating)

B30~B40 Class: -10°C ~ +70°C (Operating)

All Class: -40°C ~ +70°C (Storage)
(non-condensing environment)

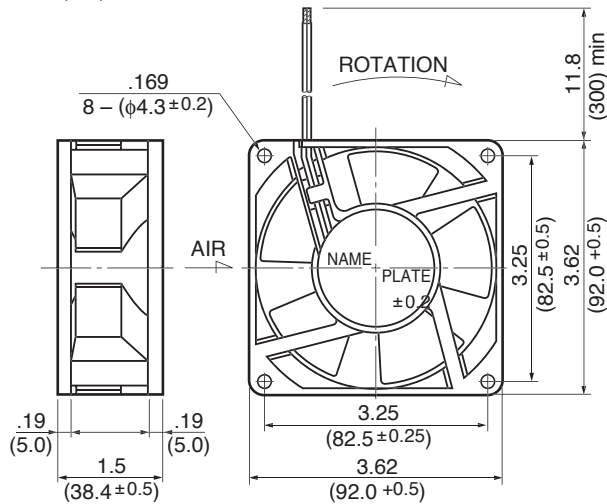
Expected Life

Failure Rate: 10%

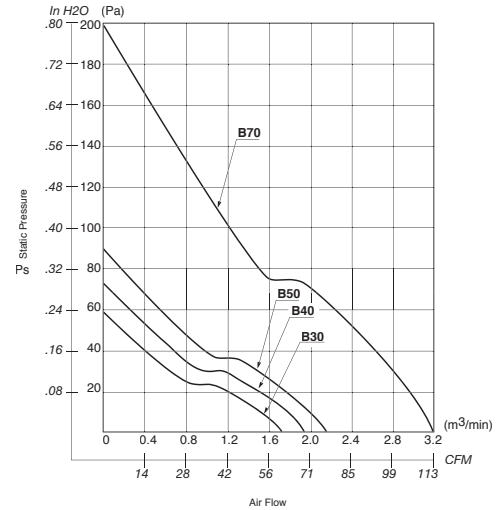
25°C 100,000 Hours (P00)

Outline

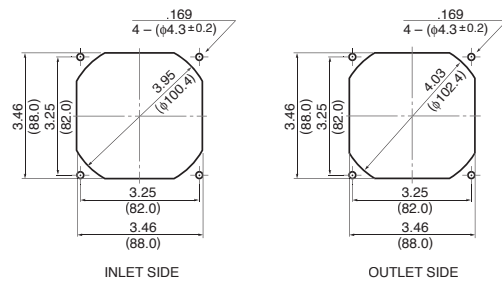
Units: $\frac{\text{inch}}{\text{mm}}$



Characteristic Curves



Panel Cut-outs



Material

Casing : Plastic (Black) 94V-0

Impeller : Plastic (Black) 94V-0

Bearing : Ball Bearing

Lead Wire : UL1061, AWG26, +Red, -Black

Specifications

MODEL	Product No.	Rated Voltage	Operating Voltage	Current	Input Power	Speed	Max. Air Flow		Max. Static Pressure		Noise	Mass
		(V)	(V)	(A) ^{*1}	(W) ^{*1}	(min ⁻¹) ^{*1}	CFM ^{*1}	(m ³ /min) ^{*1}	in H ₂ O	(Pa) ^{*1}	(dB) ^{*1}	(g)
3615KL-04W-B30-	P00	12	7.0 ~ 13.2	0.25	3.00	3200	60.3	1.71	.23	57.9	40.5	210
3615KL-04W-B40-	P00	12	7.0 ~ 13.2	0.34	4.08	3600	68.5	1.94	.29	72.0	44.0	210
3615KL-04W-B50-	P00	12	7.0 ~ 12.6	0.46	5.52	4000	76.2	2.16	.36	89.2	46.5	210
3615KL-05W-B30-	P00	24	12.0 ~ 26.4	0.15	3.60	3200	60.3	1.71	.23	57.9	40.5	210
3615KL-05W-B40-	P00	24	12.0 ~ 26.4	0.20	4.80	3600	68.5	1.94	.29	72.0	44.0	210
3615KL-05W-B50-	P00	24	12.0 ~ 25.2	0.24	5.76	4000	76.2	2.16	.36	89.2	46.5	210
3615KL-07W-B70-	P00	48	30.0 ~ 50.2	0.36	17.3	5800	110.0	3.10	.71	178.0	55.0	210

Rotation: Clockwise

Airflow Outlet: Air Out Over Struts

*1: Average Values in Free Air