

CONTROL SIGNATURE:

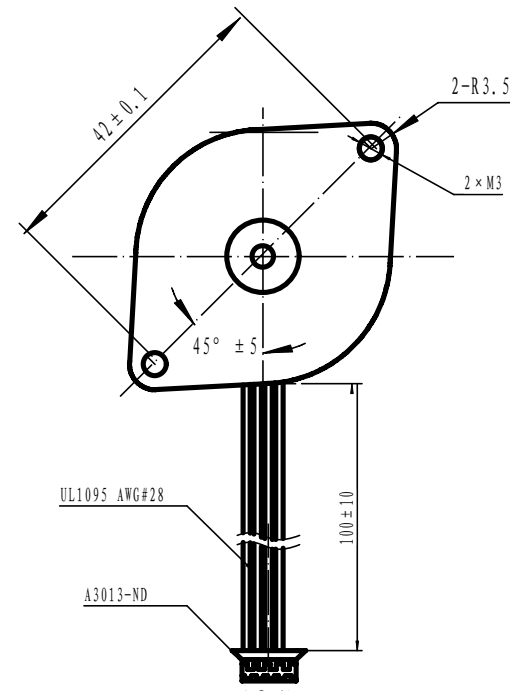
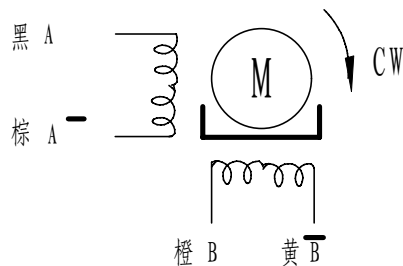
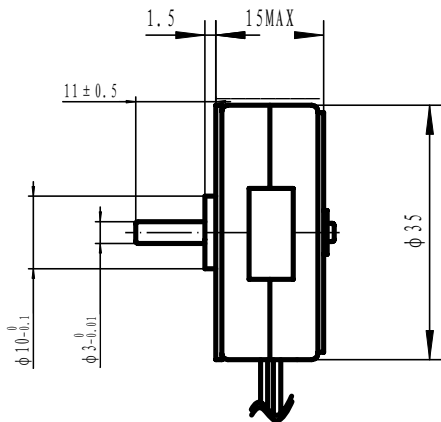
THE INFORMATION CONTAINED IN THIS DRAWING IS CONFIDENTIAL. COPYRIGHT

2-2 Pole Excitation Order

Lead Wire Color	Terminal Code	1	2	3	4
Black	1	-	-		
Orange	3		-	-	
Brown	2			-	-
Yellow	4	-			-

Specification

1. Rated Voltage	12VDC
2. Number of Pole	4
3. Stride Angle	7.5°
4. Drive Mode	2-2 Single Pole
5. DC Resistance	4Ω/phase±10%(25°C)
6. Current	400mA
7. Max Start Frequency	≥650PPS
8. Max Idle Out-traction Frequency	≥1600PPS
9. In-traction Torque	≥100gf.cm(200PPS)
10. Self-positioning Torque	≤100gf.cmREF
11. Induction Resistance	3.5H/Phase±10%(1KHz 1Vrms)
12. Insulation Grade	A



A		1ST ISSUE	11512
REV.	EPO#	DETAILS	DATE
SCALE		UNIT	mm
DRAWN XUHEZHAO		SIZE	A4
CHECKED		UNSPECIFIED TOLERANCE:	
APPROVED		MERCURY MOTOR	
20110428		TITLE	
MATERIAL		ST-PM35-15-11C	
FINISH		SHEET 1 OF 1	REV A
		DWG.NO.	
		ST-PM35-15-20110508#	