

Industrial Wireless Access Point

■ ■ AW5500C

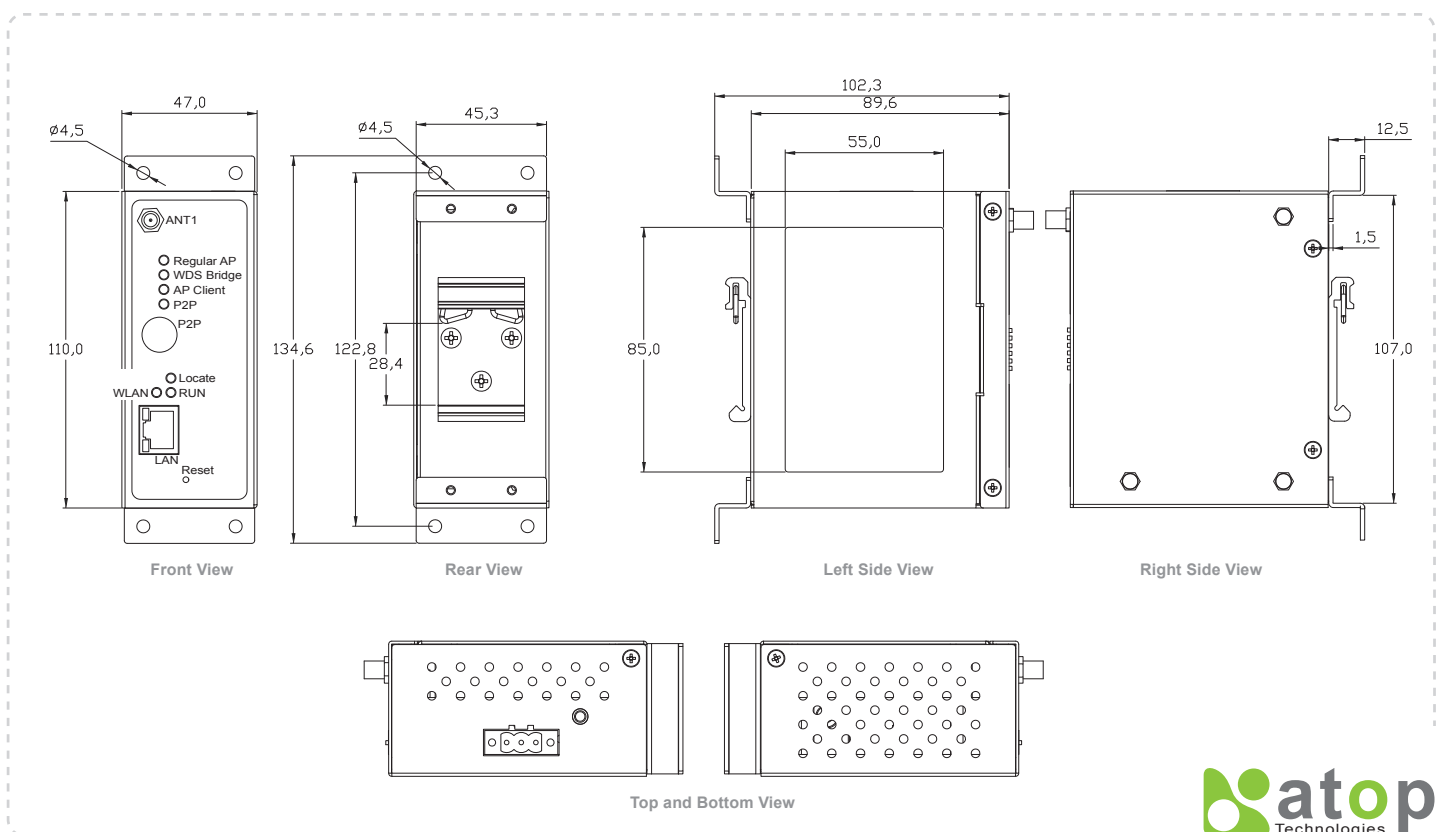
RoHS II compliant

- Designed for 802.11 b/g/n networks
- Web server/Utility configuration
- Upgrade via Device View or Web server
- Client isolation
- Different operating modes and topology options
(WDS Bridge and AP Client)
- FCC (United States), ETSI (Europe) certified wireless equipment
- Support WPS(Wi-Fi protected setup)
- Support Wi-Fi Direct (Peer-to-Peer)

Suitable in a wide array of applications, the new AW5500C is able to withstand harsh conditions typically found in the industry.

AW5500C is also designed thinking on your security, state of the art encryption as well as having the ability to create a virtual network among wireless clients; this level of communication between clients can be easily and intuitively controlled using this option, imposing restrictions on data and excluding malware at the same time. AW5500C embodies a strong wireless network manager that will surely deliver optimum performance in your network.

AW5500C supports "WPS & Wi-Fi Direct" technology that makes Wi-Fi usage to be an ease-of-use connectivity, and delivers an industry-wide peer-to-peer solution based on broadly deployed Wi-Fi technologies.



Specifications				
Network Interface				
Connector	RJ-45			
Speed	IEEE802.3u, 100 Base-T(X)			
Power Characteristics				
Input Voltage	9VDC - 48VDC			
Input Current(9VDC)	0.65A			
Power Consumption	Approx. 5.85W (max)			
Reverse Polarity Protection	Yes			
Connector	5.08mm 3-pin Lockable Terminal Block			
Mechanicals				
Protection Rating	IP30			
Dimensions(W X H x D)	47 X 110 X 90 mm			
Weight	500g			
Installation	DIN-Rail, wall mount (optional kit)			
Reset Button	Yes			
WPS / Wi-Fi Direct Button	Yes			
Environmental Limits				
Operating Temperature	-10°C ~ 60°C (14°F ~ 140°F)			
Storage Temperature	-40°C ~ 85°C (-40°F ~ 185°F)			
Ambient Relative Humidity	5 ~ 95% RH, (non-condensing)			
Software Features				
Operation Modes	AP, WDS Bridge, AP Client			
Wireless Security	WEP, WPA, WPA2, TKIP, AES, 802.1x			
Network Security	Client Isolation, Firewall / Filtering, Turn off Radio			
Alerts Event	E-mail / SNMP Trap			
Supported Protocols	ICMP, TCP, UDP, DHCP Server/Client, DNS, SNMP, NTP, SMTP, HTTP, IPv4, 802.1x, RADIUS, STP, WPS, Syslog			
Warranty	5 years			
Regulatory Requirements				
EMC	EN 301489-1 V1.9.2, EN301489-17 V2.2.2 (Class A), FCC 15B (Class A)			
Radio	FCC 15C 15.247, EN 300328 V1.8.1, EN 301893 V1.7.1			
EMF	EN 62311: 2008, EN 50385: 2002			
Test	Item	Value	Level	
IEC 61000-4-2	ESD	Contact Discharge	±4KV	2
		Air Discharge	±8KV	3
IEC 61000-4-3	RS	Radiated(Enclosure)	3(V/m)	2
IEC 61000-4-4	EFT	AC Power Port	±2.0 KV	3
		DC Power Port	±0.5 KV / ±1.0 KV	1 / 2
		Signal Port	±0.5 KV	3
IEC 61000-4-5	Surge	AC Power Port	Line-to-Line±1.0 KV / Line-to-Earth±2.0 KV	3
		DC Power Port	Line-to-Earth±0.5KV / ±1.0 KV	1 / 2
		Signal Port	Line-to-Line±1.0 KV / Line-to-Earth±1.0 KV	2
IEC 61000-4-6	CS	Conducted(Enclosure)	3 V rms	2
IEC 61000-4-8	PFMF	(Enclosure)	3(A/m)	2
IEC 61000-4-11	DIP	AC Power Port	-	-
*AC Ports are tested through an power adaptor available in the accessory.				
Safety	UL60950-1/CB, EN60950-1			
Shock	IEC 60068-2-27			
Freefall	IEC 60068-2-32			
Vibration	IEC 60068-2-64			
MTBF	15 years (MIL-HDBK-217F)			
RoHS II	Yes			

Ordering Information	
AW5500C	P/N:1P1AW5500C0001G Industrial Wireless Access Point

Optional Accessories	
UN315-1212 (US-Y)	P/N: 50500151120003G Y-Type power adapter, 100~240VAC input, 1.25A @ 12VDC output, US plug, LV6
UNE315-1212 (EU-Y)	P/N: 50500151120013G Y-Type power adapter, 100~240VAC input, 1.25A @ 12VDC output, EU plug, LV6

UN315-2465 (US)	P/N: 50500161240002G	Y-Type power adapter, 100~240VAC input, 0.65A @ 24VDC output, US plug, LV6
UNE315-2465 (EU)	P/N: 50500161240012G	Y-Type power adapter, 100~240VAC input, 0.65A @ 24VDC output, EU plug, LV6
WMK-454-Black	P/N: 70100000000043G	Black Aluminum Wall Mount Kit

Wireless Characteristics

Wireless PCI-e Module	Atheros AR9382
Tx / Rx	1T1R MIMO (1 x 1 with MCS 0-7)
Standard Conformance	802.11b, 802.11g, and 802.11n

Operating Frequency

	2.4Ghz
United States (FCC)	2412-2462(20Mhz)/2422-2452(40Mhz)
Europe (ETSI)	2412-2472(20Mhz)/2422-2462(40Mhz)

Data Rate

802.11b	1, 2, 5.5 and 11Mbps
802.11g	6, 9, 12, 18, 24, 36, 48, 54Mbps
802.11n	20MHz bandwidth: 1Nss: 65Mbps @ 800GI, 72.2Mbps @ 400GI (Max.) 40MHz bandwidth: 1Nss: 135Mbps @ 800GI, 150 Mbps @ 400GI (Max.)

Antenna (2.4GHz)

Gain	3dBi
Connector	SMA(R) Female

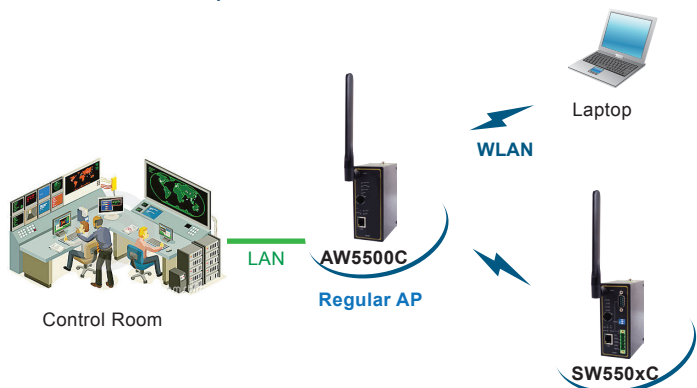
Output Power

802.11b	+14dBm			
802.11g	+17dBm @ 6, 9, 12,18,24Mbps / +17dBm @ 36Mbps / +16dBm @ 48Mbps / +16dBm @ 54Mbps			
802.11n 2.4GHz/HT20	+16dBm @ MCS 0	+16dBm @ MCS 4	+16dBm @ MCS 1	+16dBm @ MCS 5
	+16dBm @ MCS 2	+16dBm @ MCS 6	+16dBm @ MCS 3	+15dBm @ MCS 7
802.11n 2.4GHz/HT40	+15dBm @ MCS 0	+15dBm @ MCS 4	+15dBm @ MCS 1	+15dBm @ MCS 5
	+15dBm @ MCS 2	+15dBm @ MCS 6	+15dBm @ MCS 3	+14dBm @ MCS 7

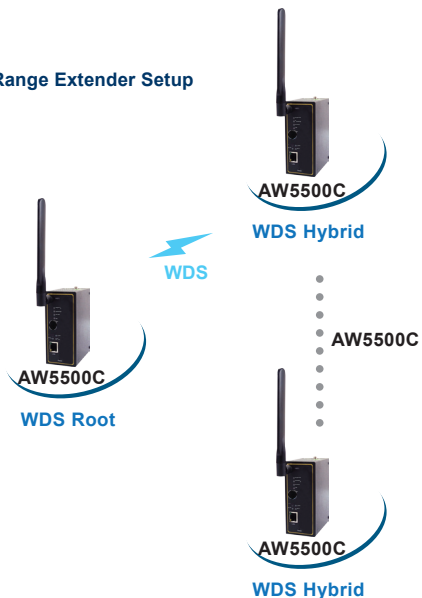
Receiver Sensitivity

	Data Rate	IEEE Spec(1 Rx dBm)		Data Rate	IEEE Spec(1 Rx dBm)
802.11b	1M	not specified	802.11n HT40	MCS0	-79
	5.5M	not specified		MCS1	-76
	11M	not specified		MCS2	-74
802.11g	6M	-82		MCS3	-71
	9M	-81		MCS4	-67
	12M	-79		MCS5	-63
	18M	-77		MCS6	-62
	24M	-74	MCS7	-61	
	36M	-70	802.11b/g/n HT20	MCS0	-82
	48M	-66		MCS1	-79
54M	-65	MCS2		-77	
802.11n HT20	MCS0	-82		MCS3	-74
	MCS1	-79		MCS4	-70
	MCS2	-77		MCS5	-66
	MCS3	-74		MCS6	-65
	MCS4	-70	MCS7	-64	
	MCS5	-66	802.11b/g/n HT40	MCS0	-79
	MCS6	-65		MCS1	-76
MCS7	-64	MCS2		-74	
		MCS3		-71	
		MCS4		-67	
		MCS5		-63	
		MCS6		-62	
		MCS7	-61		

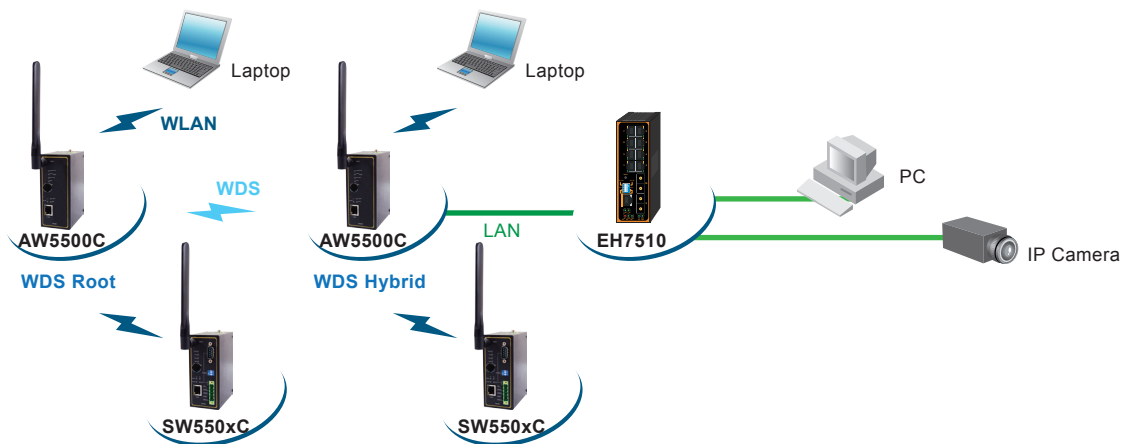
Basic Access Point Setup



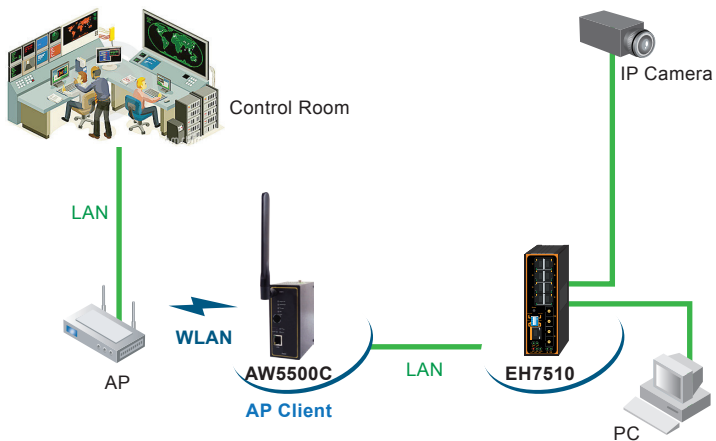
Coverage Range Extender Setup



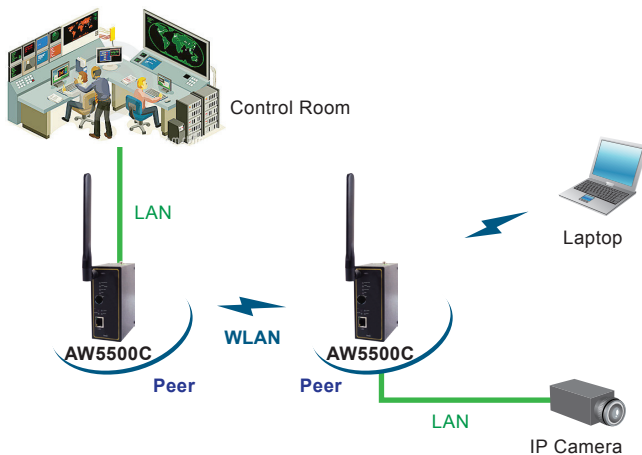
Basic WDS Setup



AP Client Setup



WPS / Wi-Fi Direct Mode



Atop Technologies, Inc.

TEL : +886-3-5508137
 FAX : +886-3-5508131
 sales@atop.com.tw
 http : //www.atop.com.tw

Design and specification are subjected to change without notice.
 All product names referenced herein are registered trademarks of their respective companies.

