



- Sealed**
  - Single piece case
  - Epoxy sealed terminals
- Wide variety of contact materials**
- Same PCB layout as TL, TP and TR tiny series**

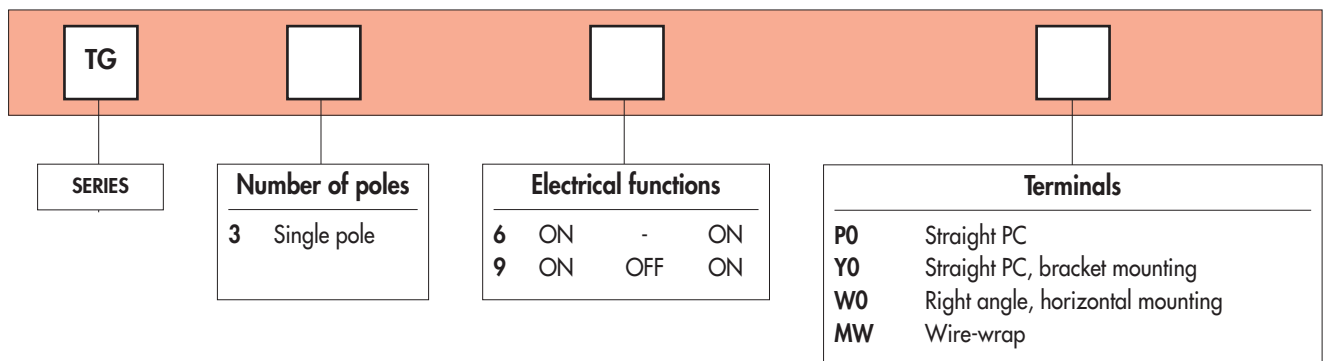
### SPECIFICATIONS

- Current/voltage rating with resistive load :
  - Gold plated contacts : 0,4VA 20V max. AC or DC.
  - Silver plated contacts : 0,5A 48V max. AC or DC
- Contact resistance : 20 mΩ max.
- Insulation resistance : 1.000 MΩ min. at 500VDC
- Dielectric strength : 1.000 Vrms 50 Hz min. between terminals and frame  
500 Vrms 50 Hz min. between terminals
- Electrical life at full load : 2 position switches : 60.000 cycles  
3 position switches : 30.000 cycles
- Travel : 2,60 mm (.102)
- Operating temperature : -30°C to +85°C
- Cleaning : solvents or water + detergent
- Wave soldering : 260°C - 5 sec. max.

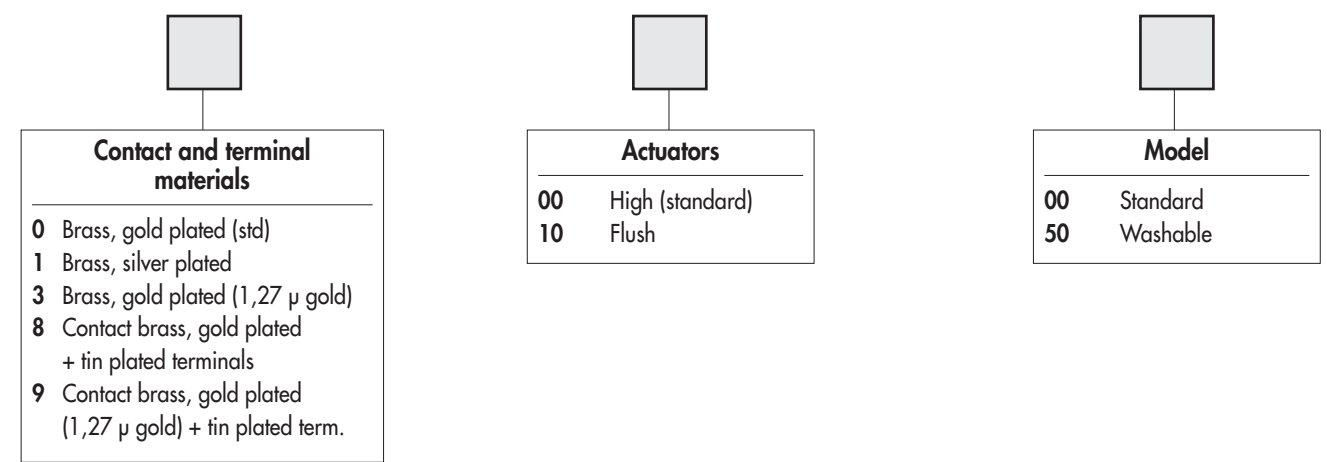
### MATERIALS

- Case : flame retardant thermoplastic
- Actuator : thermoplastic
- Ground plate and bracket : brass, tin plated
- Contacts and terminals : see above
- Rubber seal : silicone, transparent
- Terminal seal : epoxy

### MODEL STRUCTURE



### OPTIONS



**Dimensions** : First dimensions are in mm while inches are shown as bracketed numbers.

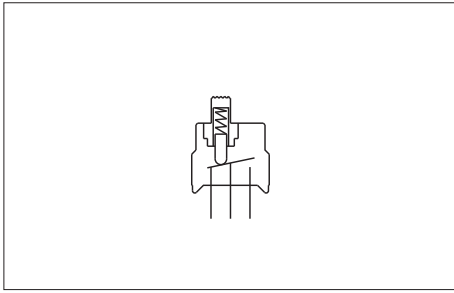


**Packaging unit** : 100 pieces, except for models with right angle terminals (50 pieces)

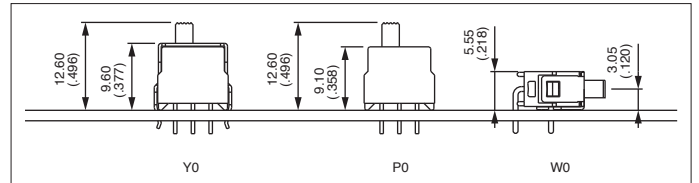
# TG series

## Tiny slide switches

Standard or washable



- Straight PC, right angle or wire-wrap terminals
- Single pole
- The silicone rubber seal can be removed after cleaning.



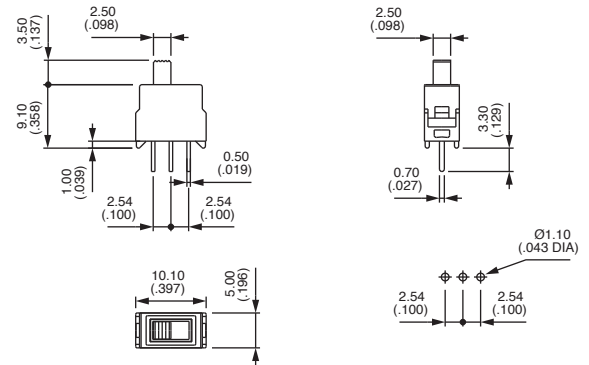
To complete the following part numbers, refer to "Overview" and replace the • symbol with one of the options proposed under "Contact and terminal materials".

### Straight PC terminals - standard model



TG36P0•0000  
TG39P0•0000

ON - ON  
ON OFF ON



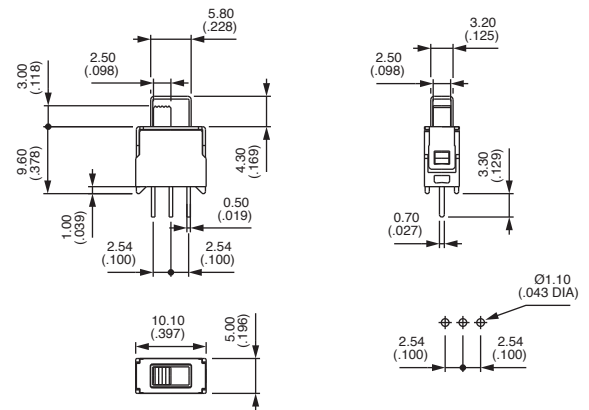
E

### Straight PC terminals - washable model



TG36P0•0050  
TG39P0•0050

ON - ON  
ON OFF ON

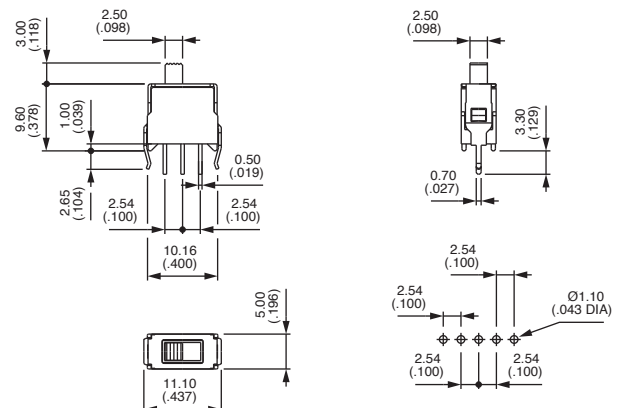


### Straight terminals - bracket mounting - standard model



TG36Y0•0000  
TG39Y0•0000

ON - ON  
ON OFF ON



# TG series

## Tiny slide switches

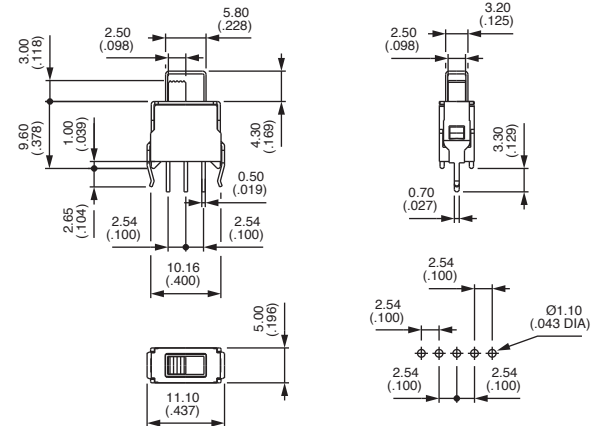
Standard or washable

### Straight terminals - bracket mounting - washable model



TG36Y0•0050  
TG39Y0•0050

ON - ON  
ON OFF ON

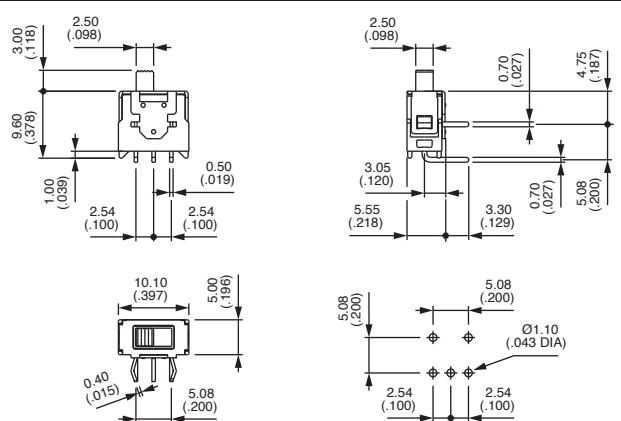


### Right angle terminals - horizontal mounting - standard model



TG36W0•0000  
TG39W0•0000

ON - ON  
ON OFF ON

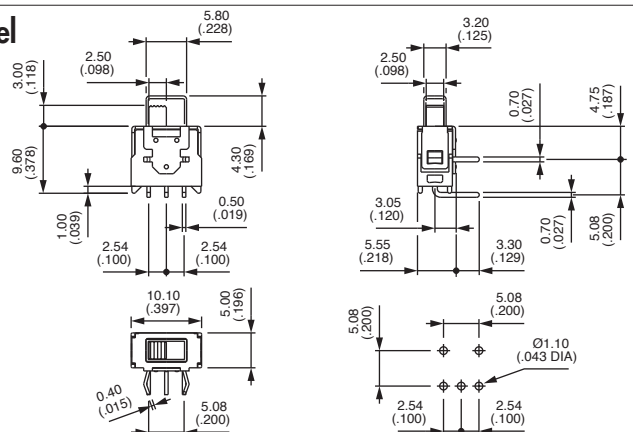


### Right angle terminals - horizontal mounting - washable model



TG36W0•0050  
TG39W0•0050

ON - ON  
ON OFF ON



### OTHER CONFIGURATIONS

MW Wire-wrap terminals

10 Flush actuator

