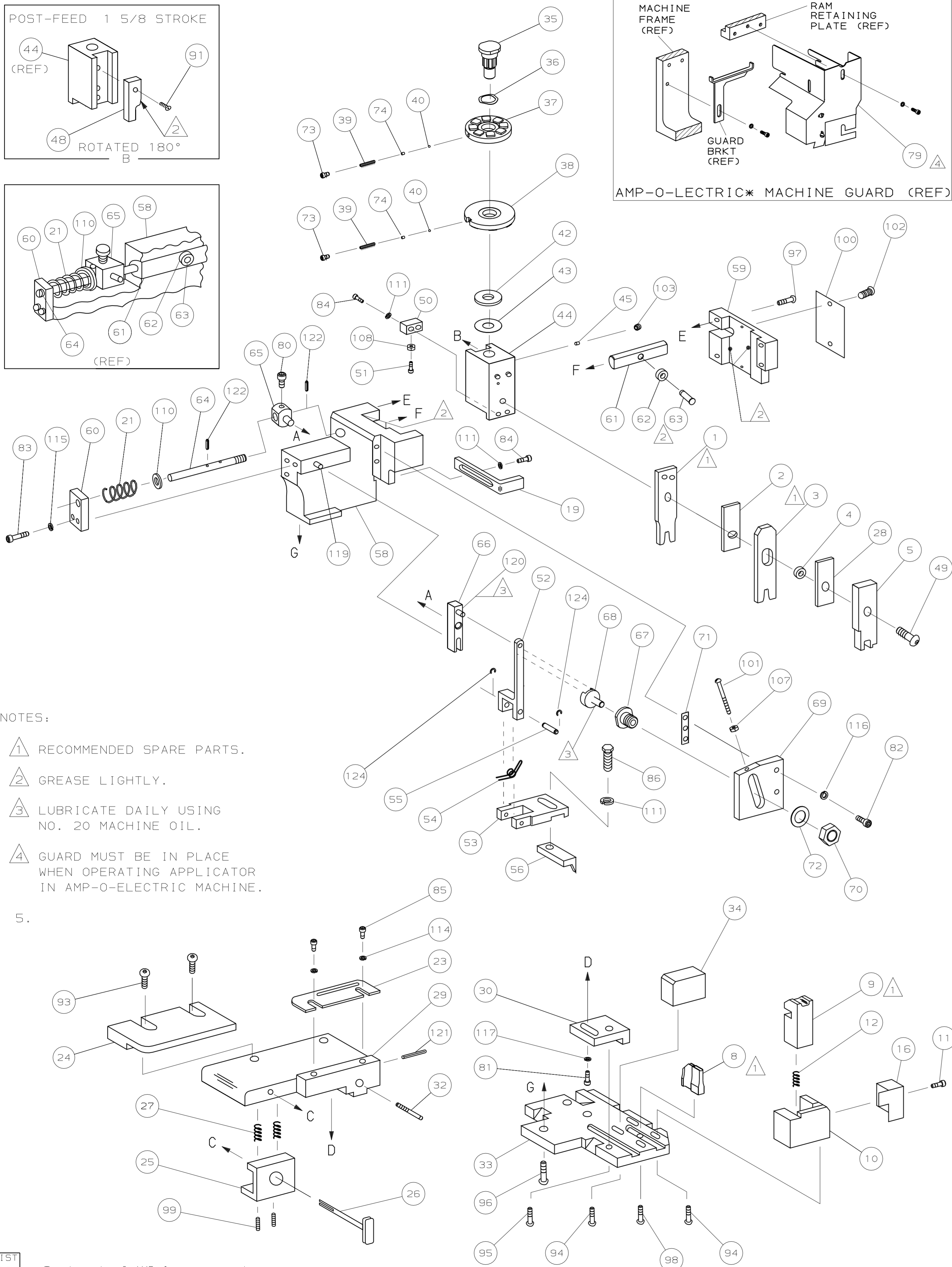
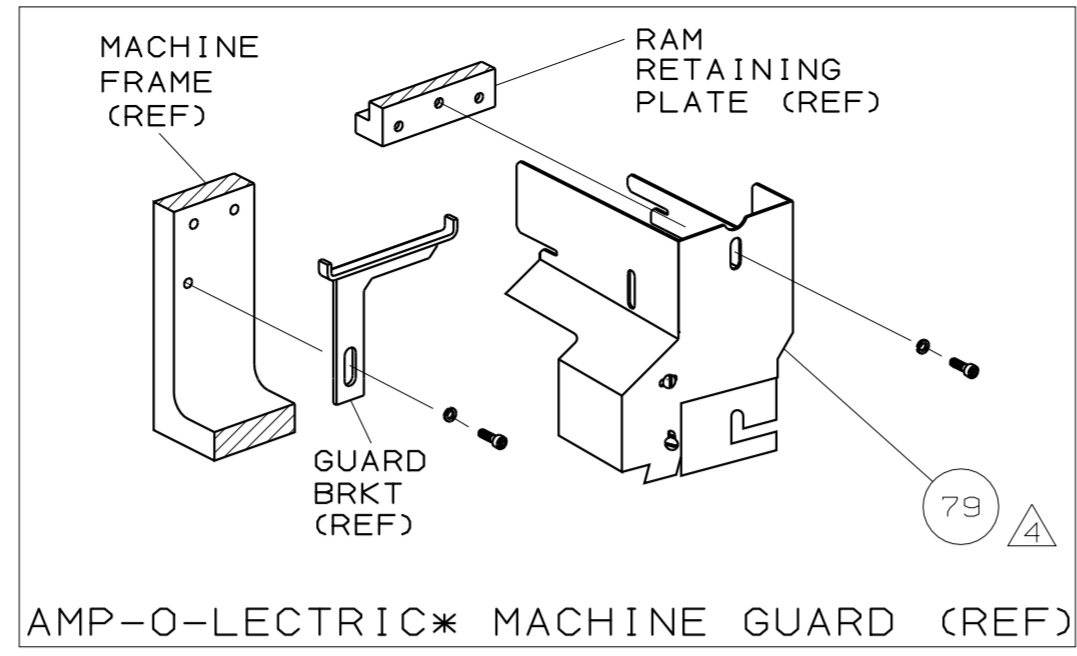
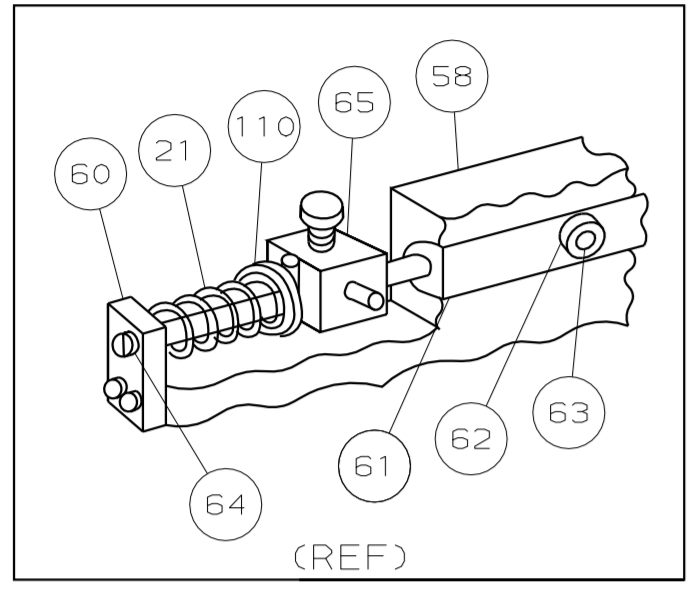
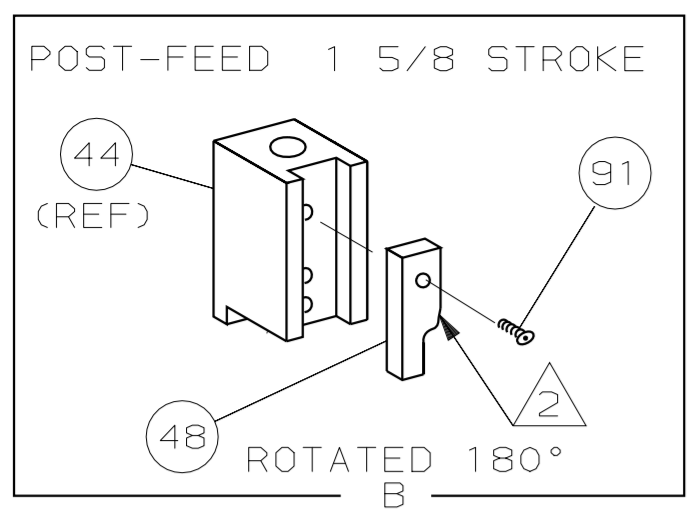


THIS DRAWING IS A CONTROLLED DOCUMENT.



- NOTES:
- 1 RECOMMENDED SPARE PARTS.
 - 2 GREASE LIGHTLY.
 - 3 LUBRICATE DAILY USING NO. 20 MACHINE OIL.
 - 4 GUARD MUST BE IN PLACE WHEN OPERATING APPLICATOR IN AMP-O-ELECTRIC MACHINE.
- 5.

THIS DRAWING IS UNCLASSIFIED INFORMATION IS CONTAINED HEREIN UNLESS INDICATED OTHERWISE. IT IS THE PROPERTY OF AMP INCORPORATED. ALL RIGHTS RESERVED. AMP INCORPORATED, HARRISBURG, PA. COPYRIGHT 1988

DIST 66 * Trademark of AMP Incorporated
AMP 1756 REV 3-87

REF	21045-3	RING, RET "C" (.187ø) FEED FINGER PIN	124	REF	454220-1	CAP, HOUSING	59
			123	REF	454485-1	HOUSING	58
REF	5-21028-1	PIN, SLT SPR (.125øx.50) ADJ ROD	122				57
1	4-21028-0	PIN, SLT SPR (.093øx.75) ST GUIDE PL	121	1	690542-2	PAWL, FEED	56
REF	1-21030-1	PIN, DOWEL (.187øx.50) LEVER	120	REF	240624-1	PIN, FEED FINGER	55
REF	1-21030-6	PIN, DOWEL (.187øx1.25) HOUSING	119	REF	691499-1	SPRING, FEED FINGER	54
			118	REF	690541-1	FINGER, FEED	53
1	21024-5	WASHER, LOCK (NO. 10) ADJ BLOCK	117	REF	455679-1	LEVER, TERMINAL FEED ARM	52
REF	21024-5	WASHER, LOCK (NO. 10) ADJ PLATE	116	1	811242-2	BUMPER, HOLDDOWN	51
REF	21024-5	WASHER, LOCK (NO. 10) FEED GUIDE ROD	115	1	690753-1	SPACER, TONKER	50
2	21024-2	WASHER, LOCK (NO. 4) FRONT STRIP GUIDE	114	1	7-21002-9	BOLT, CRIMPER (5/16-24x1.00)	49
			113	1	690501-4	CAM, POST-FEED 1 5/8 STROKE	48
			112				47
4	21024-4	WASHER, LOCK (NO. 8) STRIPPER	111	1	459456-1	APPLICATOR, BASIC (SUBASSY)	46
REF	21899-4	WASHER, FLAT (5/16 DIA) SCREW ADJ	110	1	690191-1	PLUG, NYLON	45
			109	1	455673-1	RAM	44
1	21018-5	NUT, HEX (NO. 6) HOLDDOWN	108	1	690125-1	WASHER, LAMINATED	43
REF	21018-5	NUT, HEX (6-32) FEED ADJ	107	1	690124-1	WASHER, RAM	42
			106				41
			105	2	23241-6	BALL, STEEL	40
			104	2	690170-1	SPRING, COMPRESSION	39
1	21009-2	SCR, SKT SET (1/4-20x.25) LOC-WEL) RAM	103	1	690142-1	DISC, INSULATION	38
2	21017-2	SCR, DRIVE (#2x.19) ID PLATE	102	1	1-692155-1	DISC, WIRE	37
REF	6-23715-5	SCR, PAN HD (6-32x1.50) FEED ADJ	101	1	22480-5	WASHER, SPRING	36
1	461264-1	PLATE, IDENTIFICATION	100	1	690212-1	POST, RAM	35
2	5-21006-6	SCR, SET (10-32x.75) DRAG	99	1	690786-3	SUPPORT, TERMINAL	34
1	22733-8	SCR, BHC (8-32x.38) LOC-WEL) ANVIL	98	REF	455675-1	PLATE, BASE	33
REF	2-21002-9	SCR, BHC (10-32x.75) CAP	97	1	690432-3	SCREW, ADJUSTMENT	32
REF	2-22733-8	SCR, BHC (1/4-20x.62) HOUSING	96				31
REF	2-21002-7	SCR, BHC (10-32x.50) SG ADJ BLOCK	95	REF	455689-1	BLOCK, STRIP GUIDE ADJ	30
4	2-21002-2	SCR, BHC (8-32x.50) SHEAR	94	1	455671-1	PLATE, STRIP GUIDE	29
2	2-21002-1	SCR, BHC (8-32x.38) R STRIP GUIDE	93	1	455888-4	SPACER, FRONT SHEAR DEP	28
			92	2	1-22284-0	SPRING, DRAG	27
1	1-21002-7	SCR, BHC (6-32x.38) CAM	91	1	690546-1	LEVER, DRAG RELEASE	26
			90	1	240792-1	DRAG, STOCK	25
			89	1	5-690504-9	GUIDE, STRIP (REAR)	24
			88	1	690438-1	GUIDE, STRIP (FRONT)	23
			87				22
1	2-22603-0	SCR, HEX HEAD (8-32x.31) FEED FINGER	86	REF	4-22284-9	SPRING, FEED RETURN	21
2	1-21000-3	SCR, SKT CAP (4-40x.25) F STRIP GUIDE	85				20
3	2-21000-7	SCR, SKT CAP (8-32x.50) STRIPPER	84	1	690472-2	STRIPPER	19
REF	3-21000-7	SCR, SKT CAP (10-32x.75) FEED ROD GD	83				18
REF	3-21000-6	SCR, SKT CAP (10-32x.62) FEED ADJ BLK	82				17
1	3-21000-4	SCR, SKT CAP (10-32x.38) SG ADJ BL	81	1	691667-1	GUARD, CHIP (FRONT)	16
REF	3-21000-4	SCR, SKT CAP (10-32x.38) PIVOT BLOCK	80				15
REF	455755-1	GUARD, ASSY	79				14
			78				13
REF	22014-1	OIL, LUBRICATING	77	1	3-22280-3	SPRING, SHEAR	12
			76	1	690461-1	STOP, SHEAR	11
			75	1	690459-1	HOLDER, SHEAR (FRONT)	10
2	690603-1	SPRING, ASSIST	74	1	462006-1	SHEAR, FLOAT (FRONT)	9
2	23030-1	SCR, SKT CAP (6-32x.25) CP DISC	73	1	1-854014-5	ANVIL	8
REF	458109-1	WASHER, SPECIAL	72				7
REF	690517-1	SPACER	71				6
REF	22594-8	NUT, HEX	70	1	2-455889-0	DEPRESSOR, SHEAR (FRONT)	5
REF	240628-1	PLATE, ADJUSTMENT	69	1	2-238011-0	SPACER, TUBULAR	4
REF	240626-1	SHAFT, PIVOT	68	1	3-683453-5	CRIMPER, INSULATION	3
REF	240633-1	BUSHING	67	1	455888-6	SPACER, CRIMPER	2
REF	455680-1	LEVER, INTERMEDIATE	66	1	2-456402-7	CRIMPER, WIRE	1
REF	240629-1	BLOCK, PIVOT	65				
REF	240632-2	SCREW, ADJUSTMENT FEED ROD	64				
REF	240659-3	PIN, CAM ROLLER	63				
REF	240658-1	ROLLER, CAM	62				
REF	454398-2	ROD, FEED	61				
REF	454178-1	GUIDE, FEED ROD	60				

QTY				PART NO				DESCRIPTION				ITEM NO	
TERM APPL SPEC 114-5074												APPLICATOR WILL APPLY	
CRIMPING DATA												171600-2	
PAD LTR	CRIMP HEIGHT	WIRE SIZE	WIRE STRIP LENGTH										
A	NOT	USED											
B	.040	20											
C	.035	22											
D	.033	24											
CRIMP SIZE	TYPE	FEED	APPL INST										
WIRE .055	F	.354	AI 8040										
INSUL .140	F												
WIRE RANGE 24-20	INSULATION RANGE .059-.098	MACHINE NO -											
REMARKS												AMPOMATOR POST FEED	

SET UP GAGE		10-1		AMP INCORPORATED	
458637-1		L1423		Harrisburg, Pa.	
DR 5/15/91		APP 6-1-91			
P. MATHIAS		B. WOLFE			
CHK 5-20-96		REL -		LOC A	
C. ERISMAN				NO 567416-1	
B ECR-06-019004		TE 8-06		REV B	
A1 REACT, 0150-7069-96		CE 8-96			
A OBS, 0150-6782-96		TB 6-96			
REVISION RECORD		APP DATE			
P F LTR		REVISION RECORD			
APP DATE		P F LTR			
REVISION RECORD		APP DATE			
P F LTR		REVISION RECORD			
APP DATE		P F LTR			
REVISION RECORD		APP DATE			
P F LTR		REVISION RECORD			
APP DATE		P F LTR			
REVISION RECORD		APP DATE			