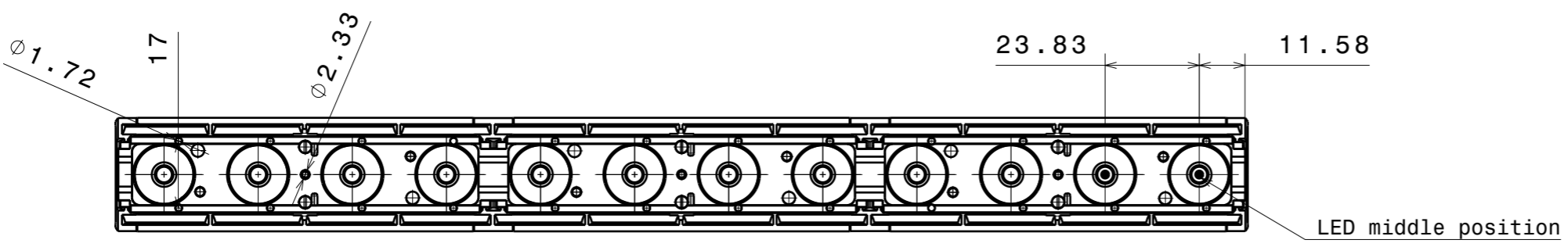


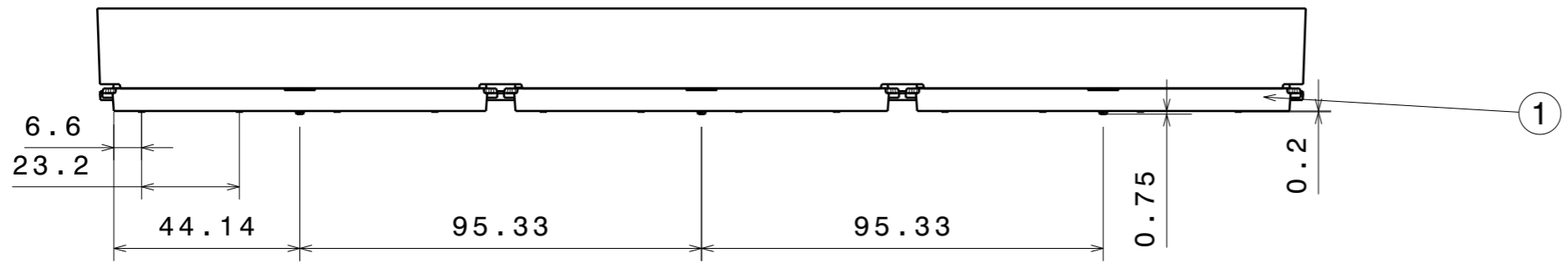
H G F E D C B A

4



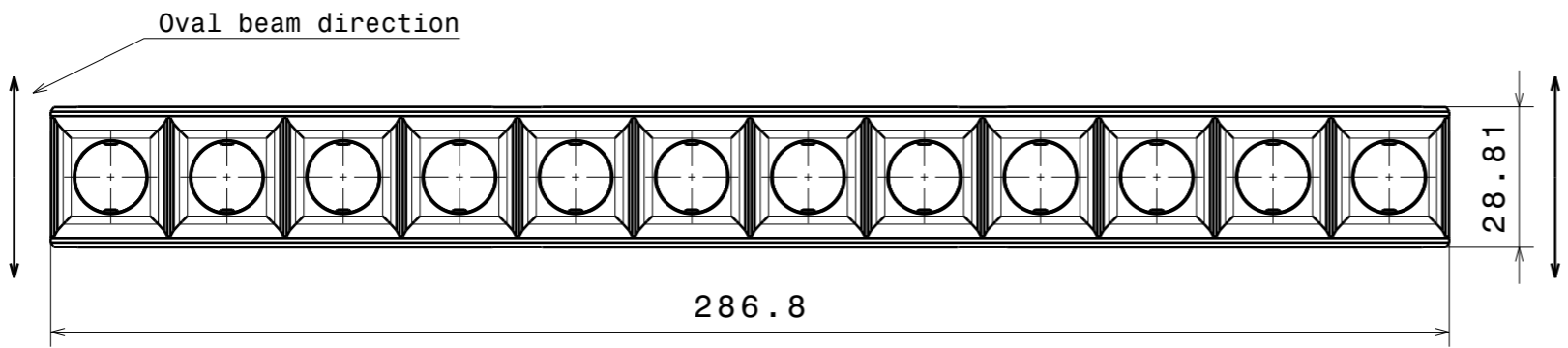
Bottom view

3



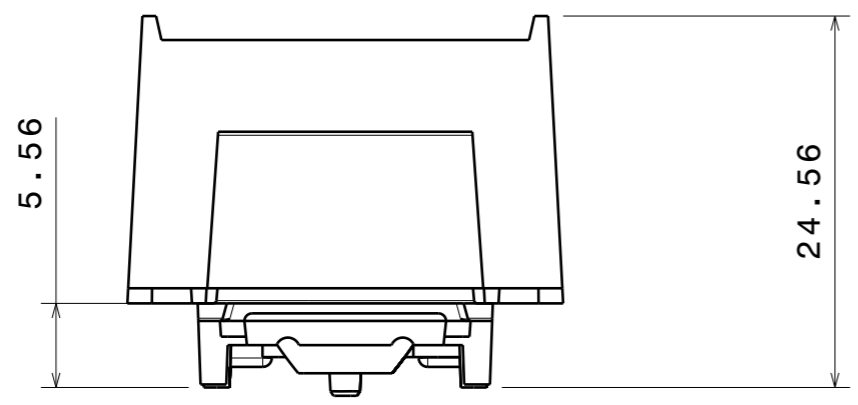
Side view

2

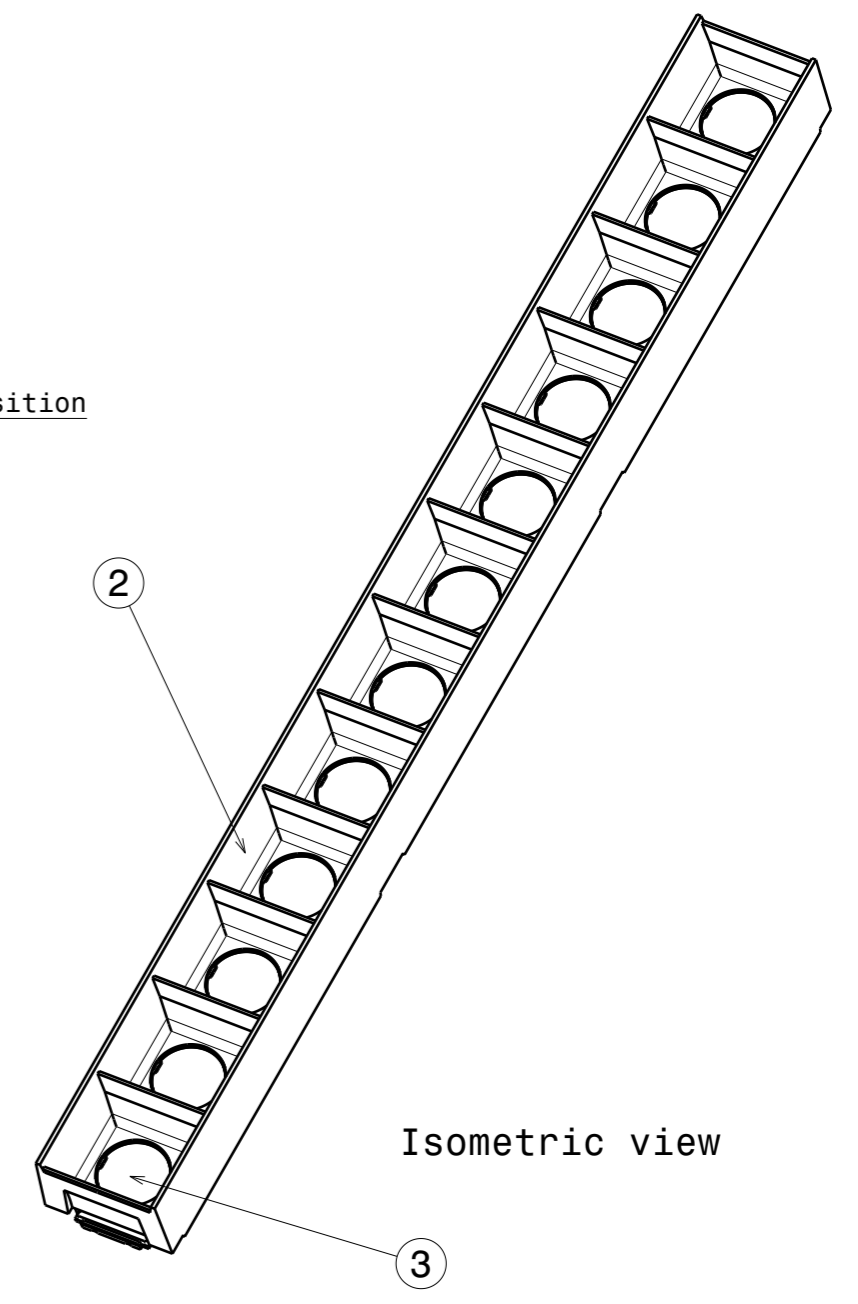


Top view

1



Front view
Scale: 2:1



Isometric view

INDEX	PART NO	DESCRIPTION	MATERIAL	COLOUR
1	C14445	FLORENTINA-HLD	PC	black
2	C14446	FLORENTINA-SHD	PC	black
3	C11050	TINA2-0 (12 pcs)	PMMA	clear

Tolerances if not otherwise shown
According to DIN ISO 2768-1
Linear measures:
up to 30mm class M, otherwise class C
According to DIN ISO 2768-2
Form and position: class L

LEDiL LediL Oy
Salorankatu 10
FIN 24240 SALO
Finland

THIRD ANGLE PROJECTION:

DRAWING TITLE
CC15001_FLORENTINA-0

This drawing is the property of LEDiL Oy. It may not be reproduced, copied or communicated without a written agreement with LEDiL Oy.

SIZE	PART NUMBER		
A3	CC15001		

SCALE	2:3	WEIGHT	68,20 g	SHEET	1/1
-------	-----	--------	---------	-------	-----

H G B A