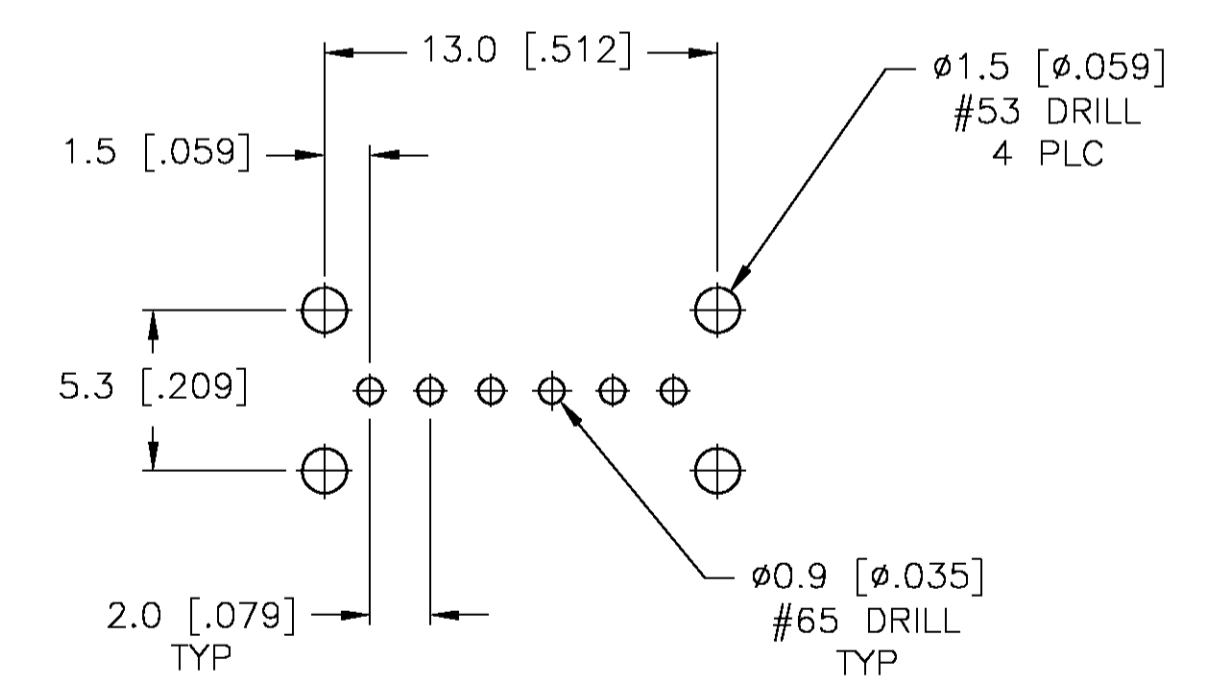
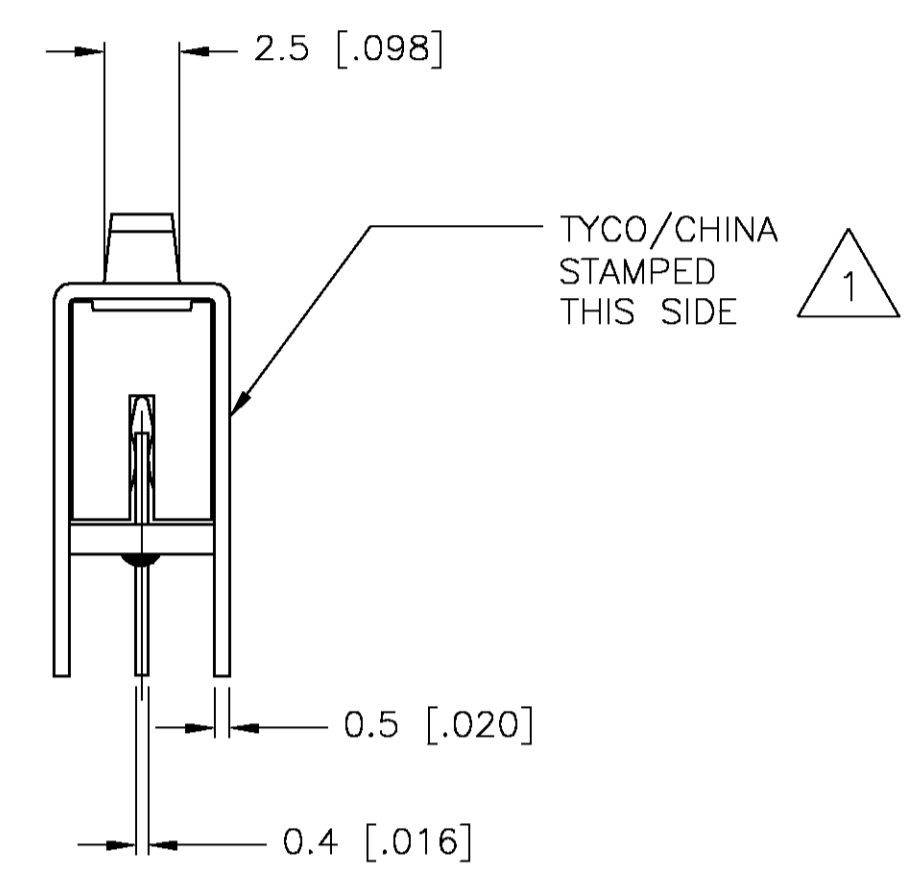
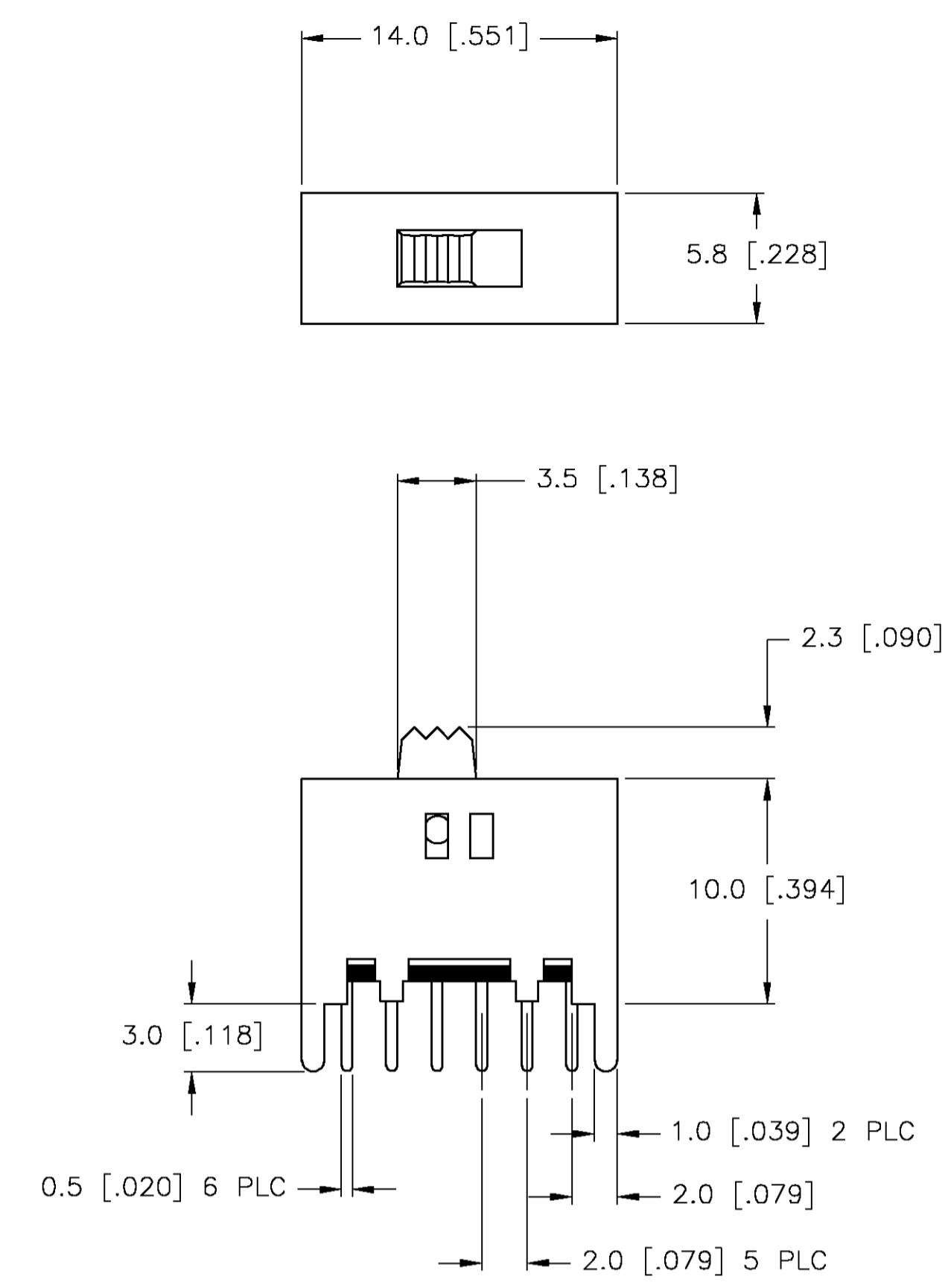
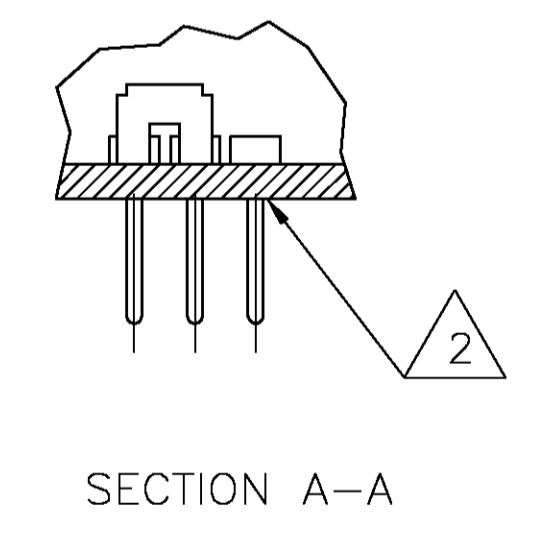


LOC		DIST		REVISIONS			
P	LR	REV	PER	DESCRIPTION	DATE	BY	APPD
B				REV PER 063C-0490-03	30JAN04	RB	MS



RECOMMENDED BOARD LAYOUT



- 1 Mark per 202-37 specification, TYCO/CHINA minimum requirement.
- 2 Anti Solder Wick Seal at Terminal to Board Interface.

Specifications:
 Make-Before-Break

Material:
 Frame- Steel, Nickel Plate
 Actuator- POM UL94HB, Black
 Moving Contact- Copper Alloy, Silver Clad Plate
 Terminal- Copper Alloy, Silver or Gold over Nickel Plate
 Ball- Steel
 Coil Spring- Galvanized Coil Spring
 Terminal Seal- Epoxy
 Board- Phenolic, UL94HB, Natural

Electrical:
 Contact Rating- 300mA@125VAC (Silver), .4VA@20VDC (Gold) or peak AC, Per EIA-448, Method 6
 Initial Contact resistance- 20 milliohms max, Per EIA-364-23B, each position
 Insulation Resistance- 1000 Megohm min. Per EIA-364-21C each position
 Dielectric strength- 500 Volt AC, Per EIA-364-20B, Condition 1, each position.

Mechanical:
 Actuation force- 100 to 600 Grams
 Actuation Travel- 2.0 [.079]
 Life Expectancy- 15,000 cycles, Per EIA-448, Method 8 and 9
 Vibration- Per EIA 364-28D, Condition VII, Level E
 Mechanical Shock- Per EIA-364-27B, Condition A

Environmental:
 Operating Temperature- -20 to + 85 degrees C, Per EIA 448, Method 10
 Storage Temperature- -40 to + 100 degrees C
 Humidity and Temperature Cycling- Per EIA-364-31B, Method III
 Temperature Life- Per EIA-364-17B, Method B, Temperature Test Condition 3, Time Condition B
 Thermal Shock- Per EIA-364-32C, -25 to 100 degrees C
 Solderability- Per EIA-364-52, Class 2, Category 1, 95% Minimum coverage
 Resistance to Solder Heat- Per EIA-364-56A, Procedure 3, Condition B
 Mixed Flowing Gas- Per EIA-364-65A, Class IIIA, 20 Days (Gold Plate only)

6-1437576-0	MSS-2200G	GOLD	2 TO 1 5 TO 4	2 TO 3 5 TO 6
5-1437576-9	MSS2200	SILVER	2 TO 1 5 TO 4	2 TO 3 5 TO 6
TYCO PART NO.	T&B PART NO.	PLATING	TYCO 123456	TYCO 123456

TERMINALS CONNECTED WHEN SLIDE IS IN POSITION SHOWN.

THIS DRAWING IS A CONTROLLED DOCUMENT. DIN R BROWN 20JAN04
 CHK M SARVER 20JAN04
 APVD W SARVER 20JAN04

tyco Tyco Electronics Corporation
 Harrisburg, PA

NAME: SLIDE SWITCH, MSS 1200 SERIES, VERTICAL

PRODUCT SPEC: -
 APPLICATION SPEC: -
 SIZE: A1
 CODE: 00779
 DRAWING NO: C=5-1437576-9
 WEIGHT: -
 CUSTOMER DRAWING

SCALE: 4:1 SHEET 1 OF 1 REV B