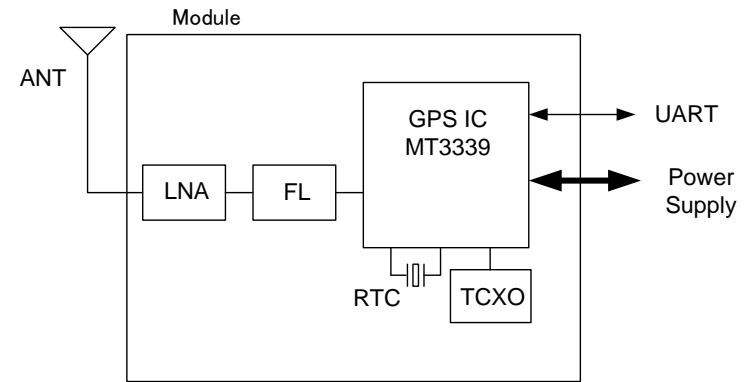


# GPS: MT3339 SMD type Module – GYSFFMAXB Wireless Modules

## Features

- L1: 1575.42MHz C/A code
- 22tracking/ 66acquisition- channel
- 12multi tone Active Interface Canceller (AIC)
- Support multi GNSS QZSS, SBAS (WAAS/EGNOS/MSAS/GAGAN)
- Always Locate™ Advanced location awareness technology
- EPO™ / Hot Still™ orbit prediction
- EASY™ self-generation orbit prediction
- Logger function support
- Serial interface UART
- Ultra low power consumption
- Build-in SAW Filter, LNA, TCXO, RTC, Shielding case, (without Antenna)
- RoHS Conformity

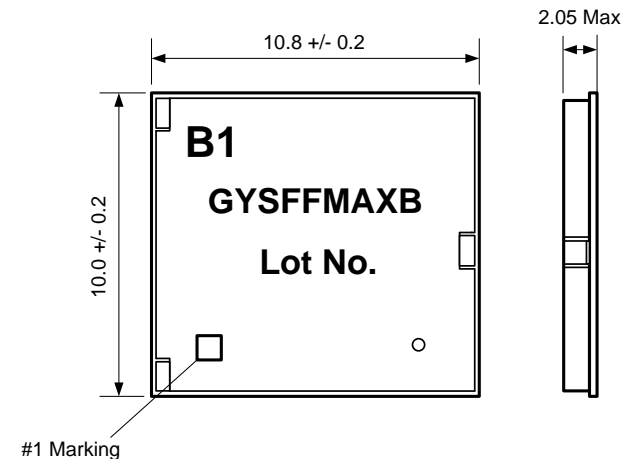
## Block Diagram



## General Electrical Specification

Parameter	Description	Min.	Typ.	Max.	Units
Frequency			1575.42		MHz
Operation Voltage	VDD3V3	3.0	3.3	4.3	V
	VDD3V3_ BACKUP	2.0	3.3	4.3	V
Sensitivity	Hot-start	—	-162	—	dBm
	Cold-start	—	-146	—	dBm
TTF	Hot-start@ -135dBm	—	1	—	sec
	Cold-start@ -135dBm	—	42	—	sec
Accuracy	@ -135dBm	—	2	—	m
Power consumption	@ acquisition VDD=3.1	—	63	—	mW
	@ Tracking VDD=3.1	—	53	—	mW
General Operation Temperature Range		-30	25	85	deg-C

## Outline



Unit: mm

To Evaluate GPS Module **GYSFFMAXB**,  
You Will Need **GKSFFMAXB**

**GKSFFMAXB** is the evaluation kit for GPS Module **GYSFFMAXB**. This kit has everything you need to evaluate the performance of this module.

### GKSFFMAXB Kit includes:

No.	Item	Description	Qty
1	GKSFFMAXB	Evaluation Board for GPS Module GYSFFMAXB with USB interface	1
2	AH316M157501-E	Evaluation Board for Chip Antenna	1
3	Standoff	Standoff	4
4	Nut	Nut	4
5	Connector	Male to Male Connector	1
6	Red & Blue Cable	Power Supply Cable	1
7	CD	Evaluation Software	1

